

Glue with Weicon  
AN 302-43  
(H900009)

Glue with Weicon  
AN 302-43  
(H900009)

Material			
No.	Plan	Article	Quantity
1	M10 DIN934	1001672	2
2	X003347	1900204 (L)	1
	X003348	1900205 (R)	1
3	X004812	2051682	2
4	X004813	2051782 (L)	1
	X004814	2051882 (R)	1
5	Y008789	1659301	2
6	Y011205	1657901	2
7	Y011207	1658000 (L)	1
	Y011750	1662500 (R)	1
8	Y011751	1662654	2
9	M6 PVC DIN125A	1000973	4
10	M6 DIN125A	1001564	4
11	M6 DIN985	1001680	4
12	M6x12	1007000	2
13	M5x16 DIN912/8.8	1007198	8
14	M6x16	1008459	4
15	M10x19	1991432	2
16	Ø35 M10x1	1996819	4
17	M5x10 DIN7991/8.8	1999977	4
18	M6x25	1006998	4
19	Ø4x20 DIN1481	1009584	2
20	XP00227	2990147	4
21	---	1999992 (L)	1
	---	1999993 (R)	1
22*	YP05496	2713054	1
23*	Ø4.8X13 DIN7983	1006072	3

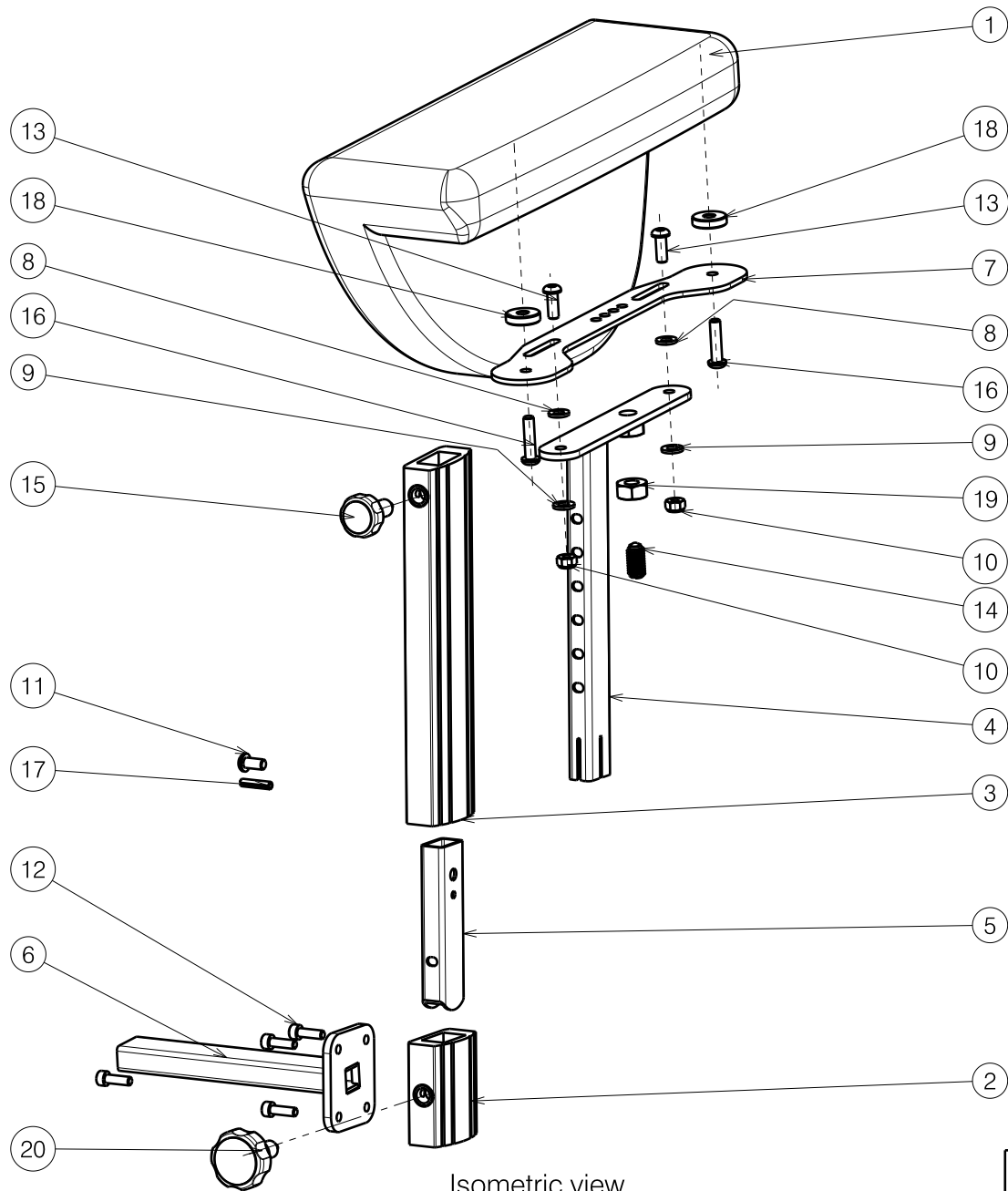
\* For use with Table on Inovys II-E

Only left side depicted / Quantity for 1 pair

1907537

E000711 / H

ARM REST TYPE INOVYS 2				Plan No. E000711 / H
ARMSTEUN TYPE INOVYS 2				
Scale: 1:4	Drafted	Verified	Confirmed	
Date	07/09/2011	27/01/2020	27/01/2020	
Initials	SD	TT	PJ	



Isometric view  
Scale: 1:4

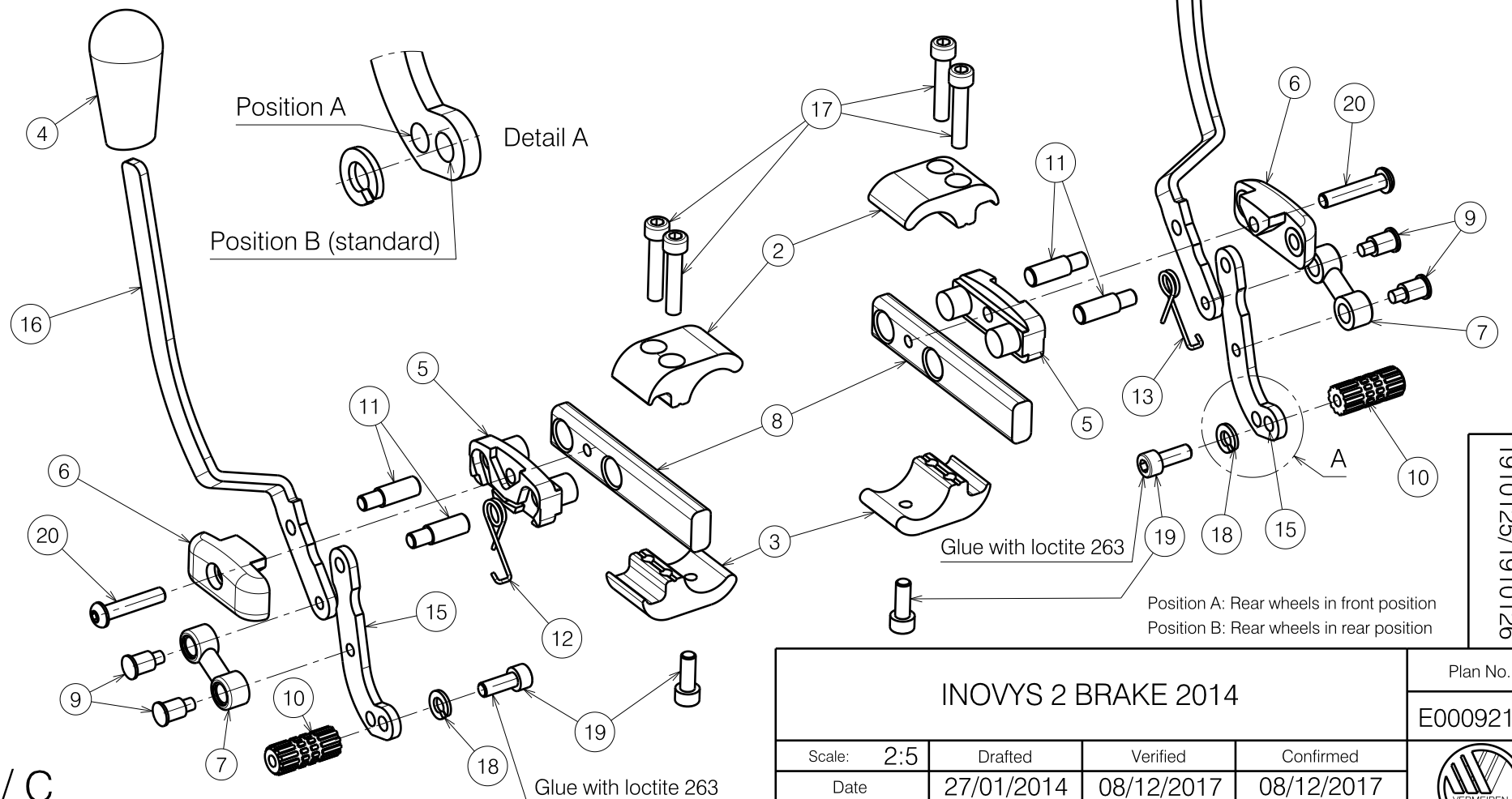
Only left side depicted

Material			
No.	Plan	Article	Quantity
1	---	2993238 (L) GREY	1
	---	2993241 (L) GREEN	1
	---	2993242 (L) PURPLE	1
	---	2993243 (L) ORANGE	1
	---	2993244 (L) MOKA	1
	---	2993239 (R) GREY	1
	---	2993245 (R) GREEN	1
	---	2993246 (R) PURPLE	1
	---	2993247 (R) ORANGE	1
	---	2993248 (R) MOKA	1
2	X004812	1906173	2
3	X004813	1906174 (L)	1
	X004814	1906175 (R)	1
4	Y008789	1659301	2
5	Y011205	1657901	2
6	Y011207	1658000 (L)	1
	Y011750	1662500 (R)	1
7	Y011751	1662604	2
8	---	1000973	4
9	---	1001564	4
10	---	1001680	4
11	---	1007000	2
12	---	1007198	8
13	---	1008459	4
14	---	1991432	2
15	---	1999935	2
16	---	1006998	4
17	---	1009584	2
18	XP00227	2990147	4
19	---	1001672	2
20	---	1996819	2

EP00217 / A

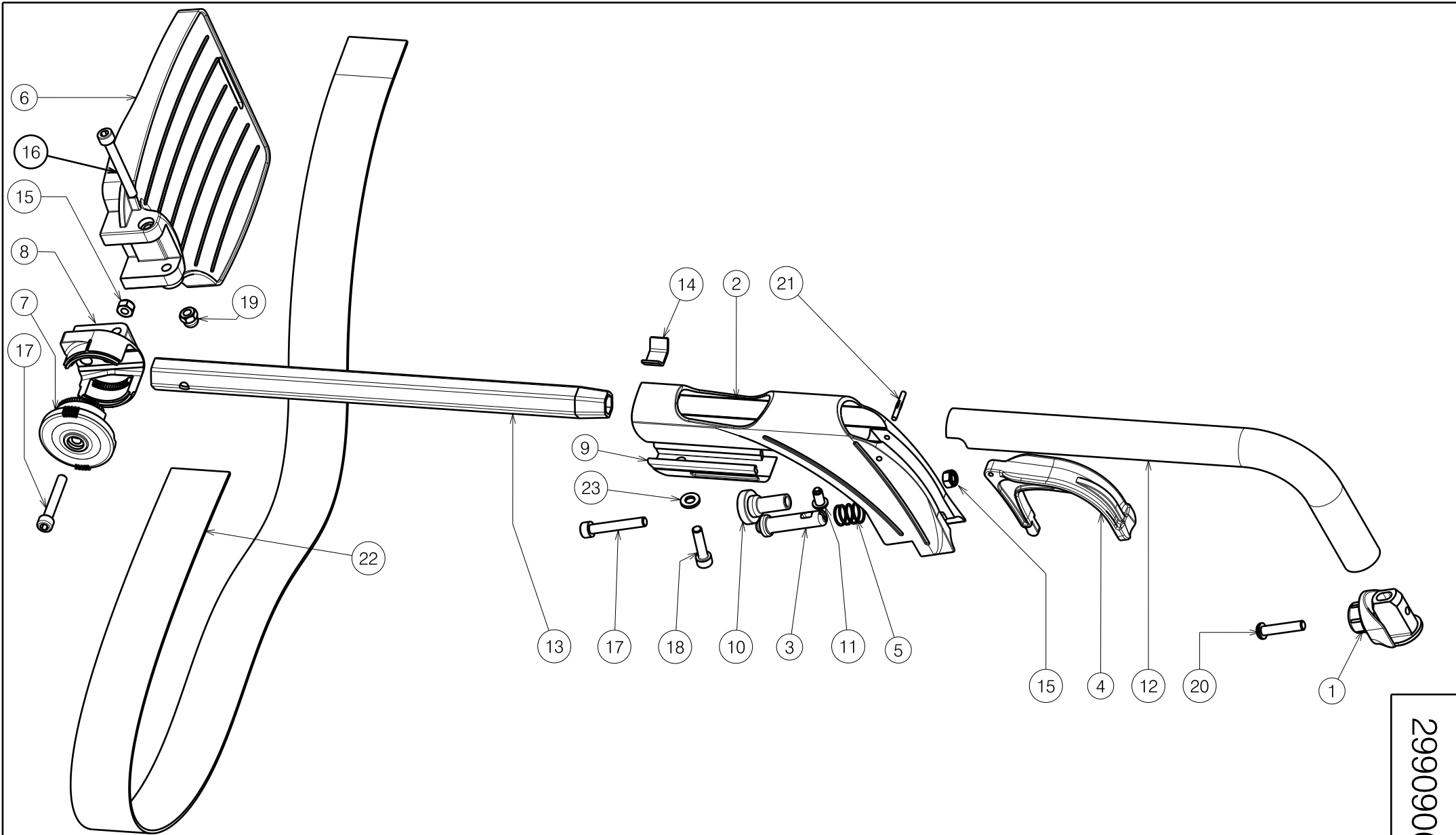
ARMREST SER INOVYS 2				Plan No.
				EP00217 / A
Scale: 1:4	Drafted	Verified	Confirmed	
Date	22/04/2016	22/04/2016	22/04/2016	
Initials	KR	MK	TK	

Material							
No.	Plan	Article	Quantity	No.	Plan	Article	Quantity
2	X002115	1552682	2	11	X005276	1793900	4
3	X002116	1552782	2	12	X005305	1910032	1
4	X002134	1992411	2	13	X005306	1910033	1
5	X002139	1992426	2	14	Y006737	1684254	1
6	X002140	1992427	2	15	Y012237	1670154	2
7	X002141	1992435	2	16	Y013768	1687354	1
8	X002155	1552582	2	17	M6x30 DIN912	1001495	4
9	X002165	1488300	4	18	M6 DIN127	1004414	2
10	X005274	17937	2	19	M6x16 DIN912	1001492	4
				20	M6x30 ISO7380	1009588	2



E000921 / C

INOVYS 2 BRAKE 2014				Plan No.
				E000921 / C
Scale: 2:5	Drafted	Verified	Confirmed	
Date	27/01/2014	08/12/2017	08/12/2017	
Initials	SD	SD	PJ	



Sheet 1/2

2990906

E000629 / J

<h3>ADJUSTABLE FOOTREST B06 V200/V300</h3>				Plan No. / Plannr.
				E000629 / J
Scale / Schaal: 3:10	Drafted / Getekend	Verified / Nagezien	Confirmed / Bevestigd	
Date / Datum	28/04/2010	02/07/2020	02/07/2020	
Init. / Init.	TM	SD	PJ	

Material / Materiaal			
No. / Nr.	Plan	Article / Artikel	Quantity / Aantal
1	X004414	1904130	1
2	X004416	1904202	1
3	X004417	1719200	1
4	X004418	1904207	1
5	X004423	1717300	1
6	X004570	1904646 (L)	(39-42) 1
	X004571	1904647 (R)	(39-42) 1
	X004457	1904475 (L)	(44-46) 1
	X004453	1904210 (R)	(44-46) 1
	X004572	1904648 (L)	(48-60) 1
	X004573	1904649 (R)	(48-60) 1
6*	XC00158	3991003 (L)	(39) 1
	XC00157	3991002 (R)	(39) 1
7	X004464	1904212	1


\* Only for Express

Material / Materiaal			
No. / Nr.	Plan	Article / Artikel	Quantity / Aantal
8	X004465	1904213	1
9	X004658	1904968	1
10	X004660	1905195	1
11	X004687	1905639	1
12	Y015007	17300..	1
13	Y016499	F006269	1
14	Y016501	1733500	1
15	---	1001680	2
16	M6x50 DIN912	1007970	1
17	M6x40 DIN912	1003909	2
18	---	1001494	1
19	---	1008492	1
20	---	1009588	1
21	---	1905640	1
22	---	1905642	1
23	---	1001564	1

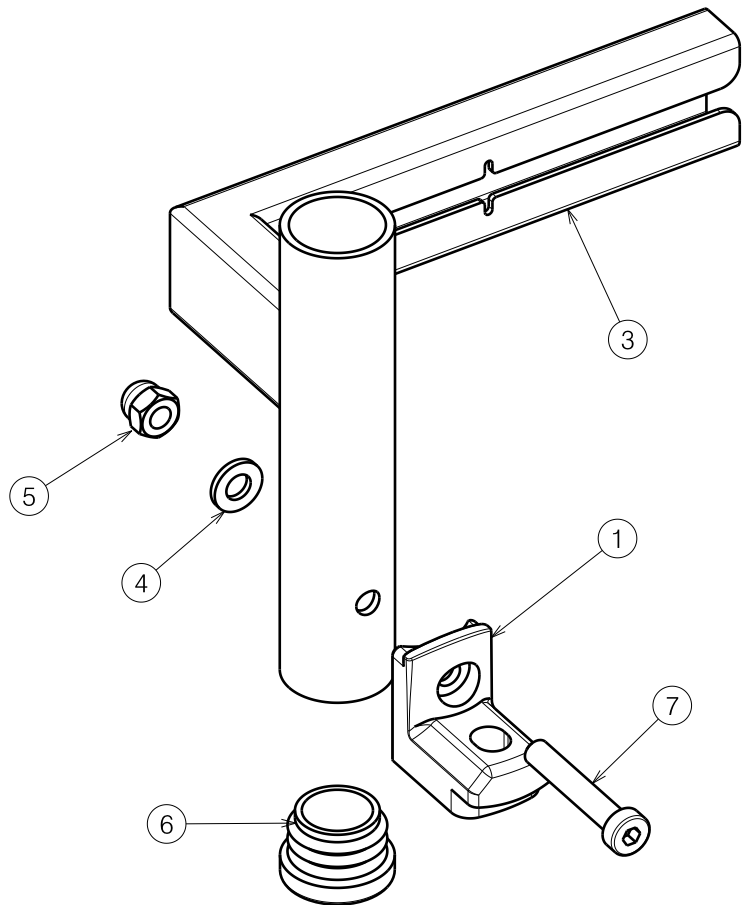
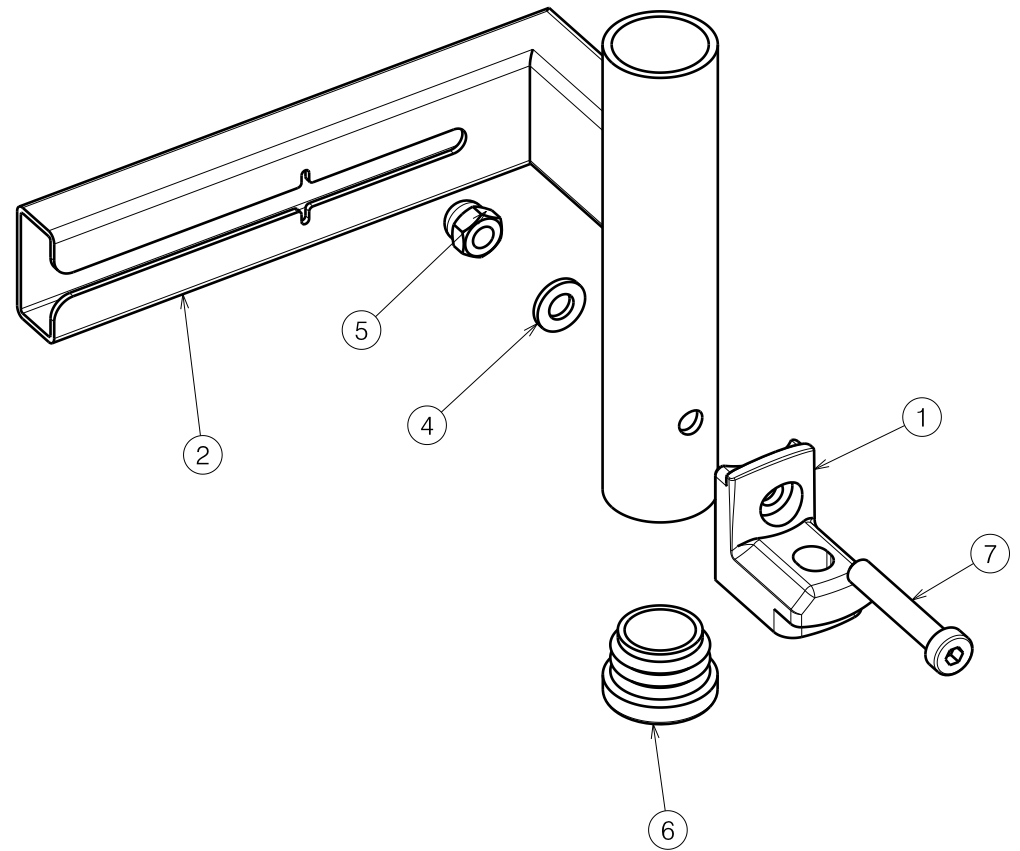
Sheet 2/2

2990906

E000629 / J


ADJUSTABLE FOOTREST B06 V200/V300				Plan No. / Plannr.
				E000629 / J
Scale / Schaal: 3:10	Drafted / Getekend	Verified / Nagezien	Confirmed / Bevestigd	
Date / Datum	28/04/2010	02/07/2020	02/07/2020	
Init. / Init.	TM	SD	PJ	

Material			
No.	Plan	Article	Quantity
1	X004415	17193	2
2	Y017802	1755854	1
3	Y017803	1755954	1
4	M6 DIN125	1001564	2
5	M6	1008492	2
6	D25	1991857	2
7	M6x35 DIN7984	1903903	2

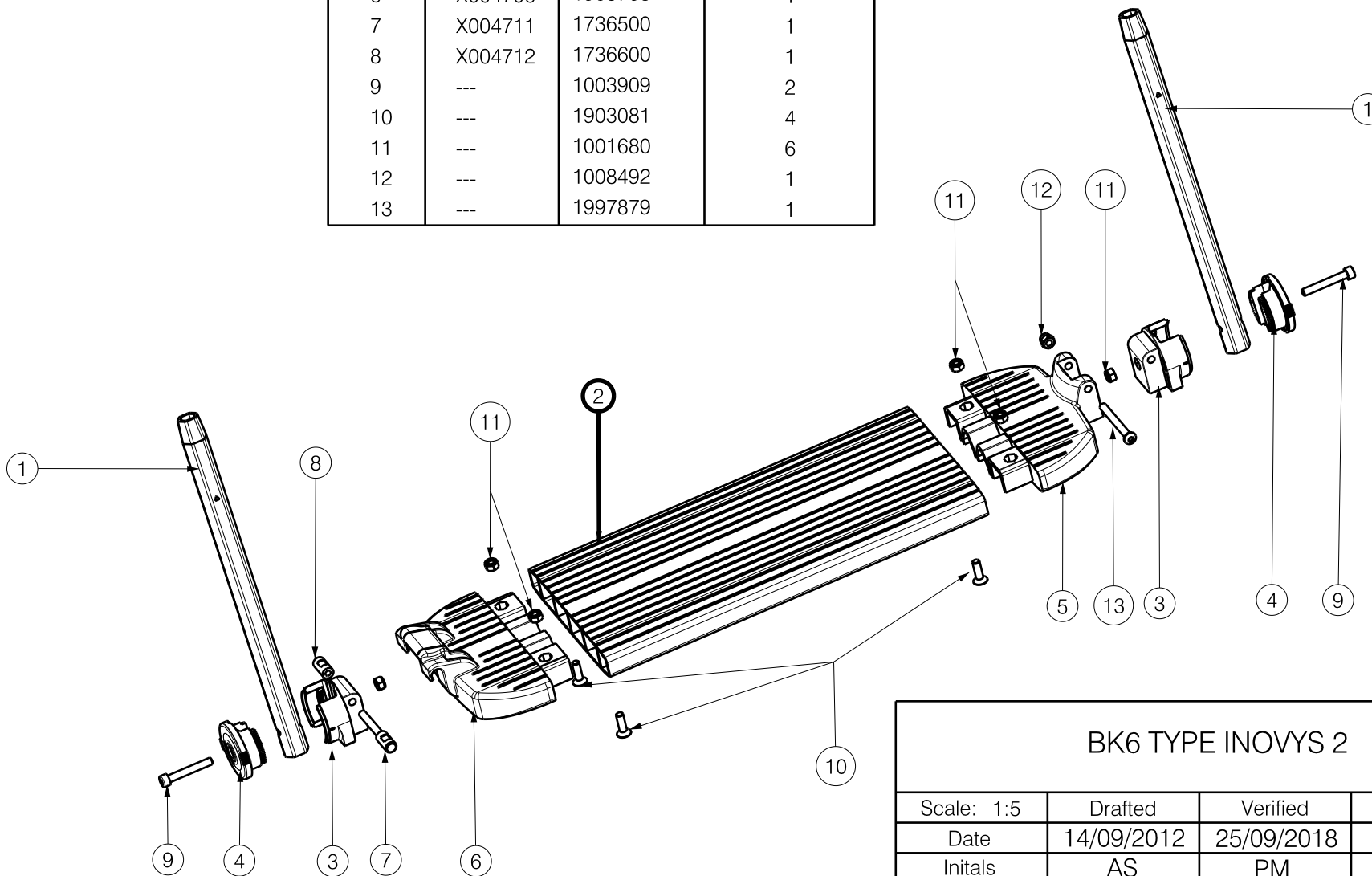



1912033

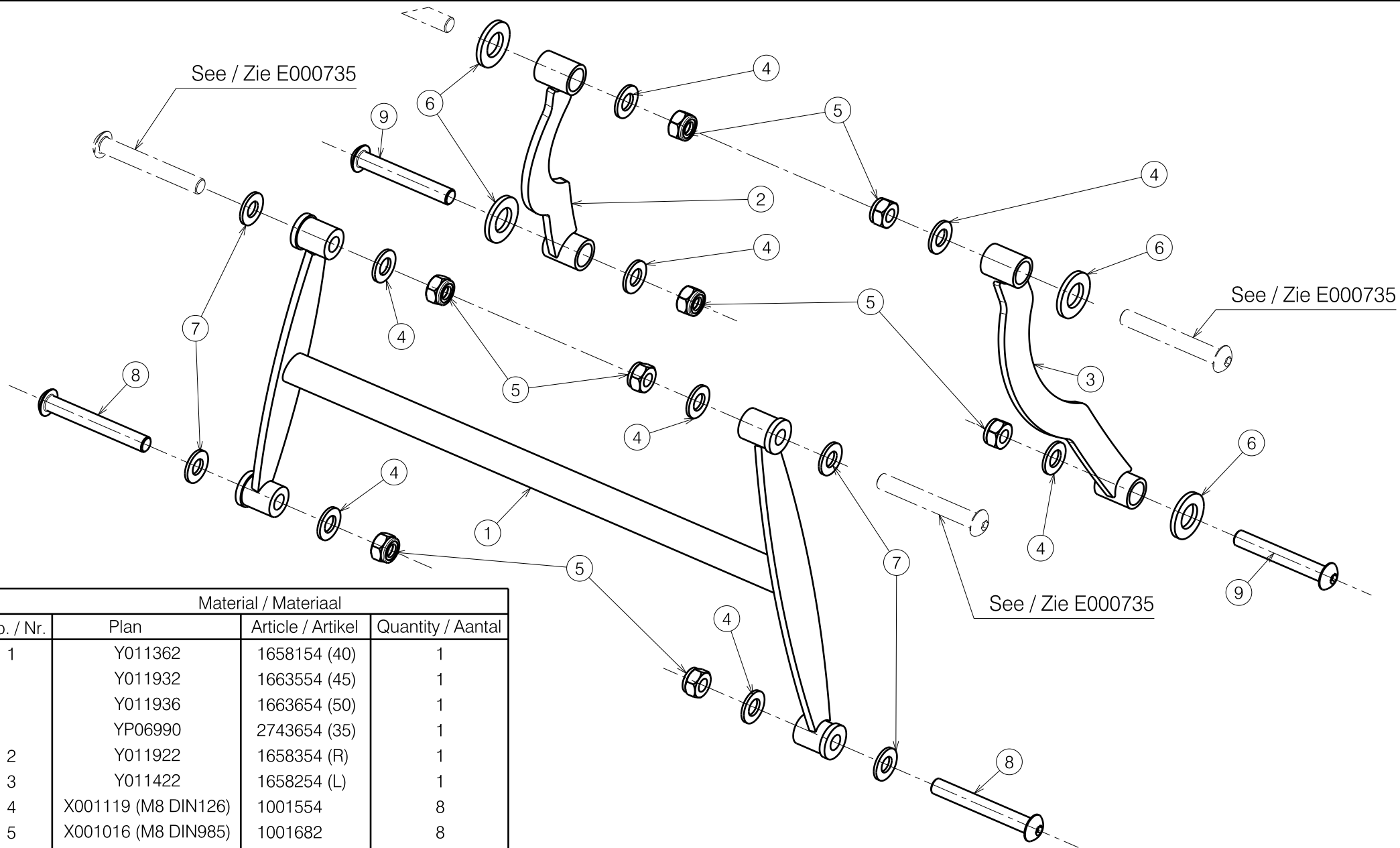
E001044 / A

INOVYS 2 ATTACHMENT BK7/BL7/B06/BK6				Plan No. E001044 / A
Scale: 3:5	Drafted	Verified	Confirmed	
Date	07/07/2016	07/07/2016	07/07/2016	
Initials	SD	SD	PJ	

Material			
No.	Plan	Article	Quantity
1	Y016499	F006269	2
2	YP06471	2734932(35)	1
	YP03941	2880732(40)	1
	Y017214	1743332(45)	1
	YP03940	2880632(50)	1
3	X004465	1904213	2
4	X004464	1904212	2
5	X004707	1905704	1
6	X004706	1905703	1
7	X004711	1736500	1
8	X004712	1736600	1
9	---	1003909	2
10	---	1903081	4
11	---	1001680	6
12	---	1008492	1
13	---	1997879	1



BK6 TYPE INOVYS 2				Plan Number
				EP00092/B
Scale: 1:5	Drafted	Verified	Confirmed	
Date	14/09/2012	25/09/2018	25/09/2018	
Initials	AS	PM	TK	



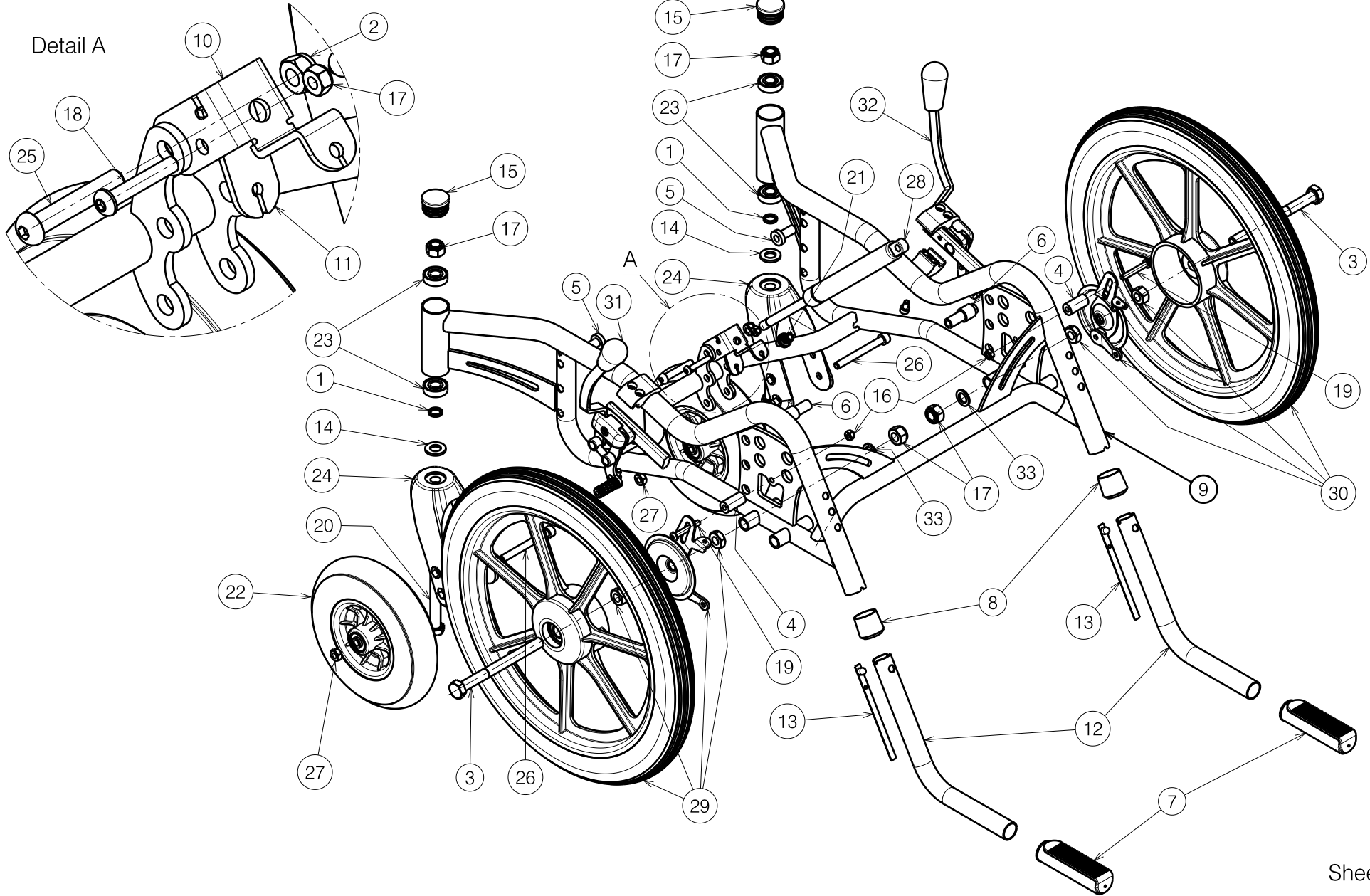
Material / Materiaal			
No. / Nr.	Plan	Article / Artikel	Quantity / Aantal
1	Y011362	1658154 (40)	1
	Y011932	1663554 (45)	1
	Y011936	1663654 (50)	1
	YP06990	2743654 (35)	1
2	Y011922	1658354 (R)	1
3	Y011422	1658254 (L)	1
4	X001119 (M8 DIN126)	1001554	8
5	X001016 (M8 DIN985)	1001682	8
6	M12 (PA6.6)	1993362	4
7	M8 DIN125	1003199	4
8	M8x60	1900809	2
9	M8x55	1995854	2

E000383 / F

<b>INOVYS PIVOT FRAME</b> <b>INOVYS SCHARNIERFRAME</b>			Plan No. / Plannr.
			E000383 / F
Scale / Schaal: 2:5	Drafted / Getekend	Verified / Nagezien	Confirmed / Bevestigd
Date / Datum	05/07/2007	18/12/2018	18/12/2018
Init. / Init.	SD	SD	PJ








Sheet 1/2

2991419

LOWER FRAME INOVYS II 16 INCH				Plan No. E000713/H
ONDERFRAME INOVYS II 16 INCH				
Scale: 4:25	Drafted	Verified	Confirmed	
Date	27/07/2011	19/11/2018	19/11/2018	
Initials	SD	SD	PJ	

E000713 / H

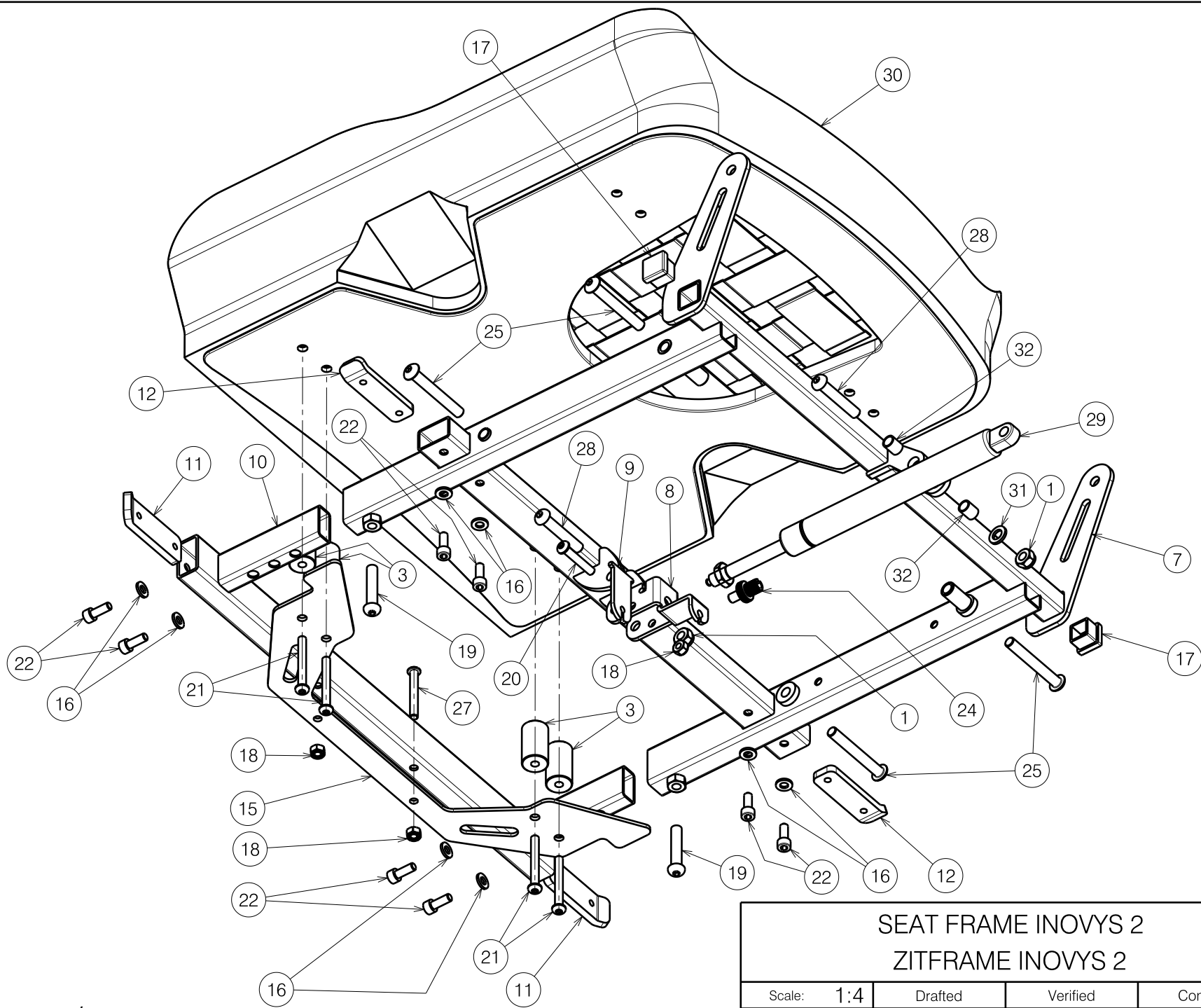
Material			
No.	Plan	Article	Quantity
1	X000188	G078500	2
2	X001016	1001682	1
3	X003366	1612600	2
4	X003407	1997399	2
5	X003451	1658800	2
6	X003452	1658900	2
7	X003596	1998528	2
8	Y004353	F000411	2
9	Y010736	16386.. (40)	1
	Y011927	16596.. (45)	1
	Y011934	16597.. (50)	1
	YP06450	27342.. (35)	1
10	Y011640	1655100	1
11	Y011652	1655200	1
12	Y017901	1758901	2
13	Y016422	1000181	2
14	M12 DIN125	1001561	2
15	---	1001610	2
16	M6 DIN985	1001680	3
17	M12 DIN985	1001684	4
18	M16x35 ISO7380	1006057	1
19	M6x40 ISO7380	1006111	2
20	M12x75 DIN931	1009991	2
21	M7	1900008	1
22	200x50	1900184	2
23	6001-2Z	1992559	4
24	---	1992599	2
25	M8x45 ISO7380	1994473	1
26	M8x76 DIN912	1998993	2
27	M8	1998994	2
28	400N	1005602	1
29	Left	1900099	1
30	Right	1900100	1
31	Left	1910125	1
32	Right	1910126	1
33	M12 DIN433	2993281	2

E000713 / H

Sheet 2/2

2991419

<p>LOWER FRAME INOVYS II 16 INCH ONDERFRAME INOVYS II 16 INCH</p>				Plan No.
				E000713/H
Scale: 4:25	Drafted	Verified	Confirmed	
Date	27/07/2011	19/11/2018	19/11/2018	
Initials	SD	SD	PJ	



Sheet 1/2

SEAT FRAME INOVYS 2  
ZITFRAME INOVYS 2

Plan No.

E000735 / J

Scale:	1:4	Drafted	Verified	Confirmed
Date	21/06/2011	19/11/2018	19/11/2018	
Initials	SD	SD	PJ	




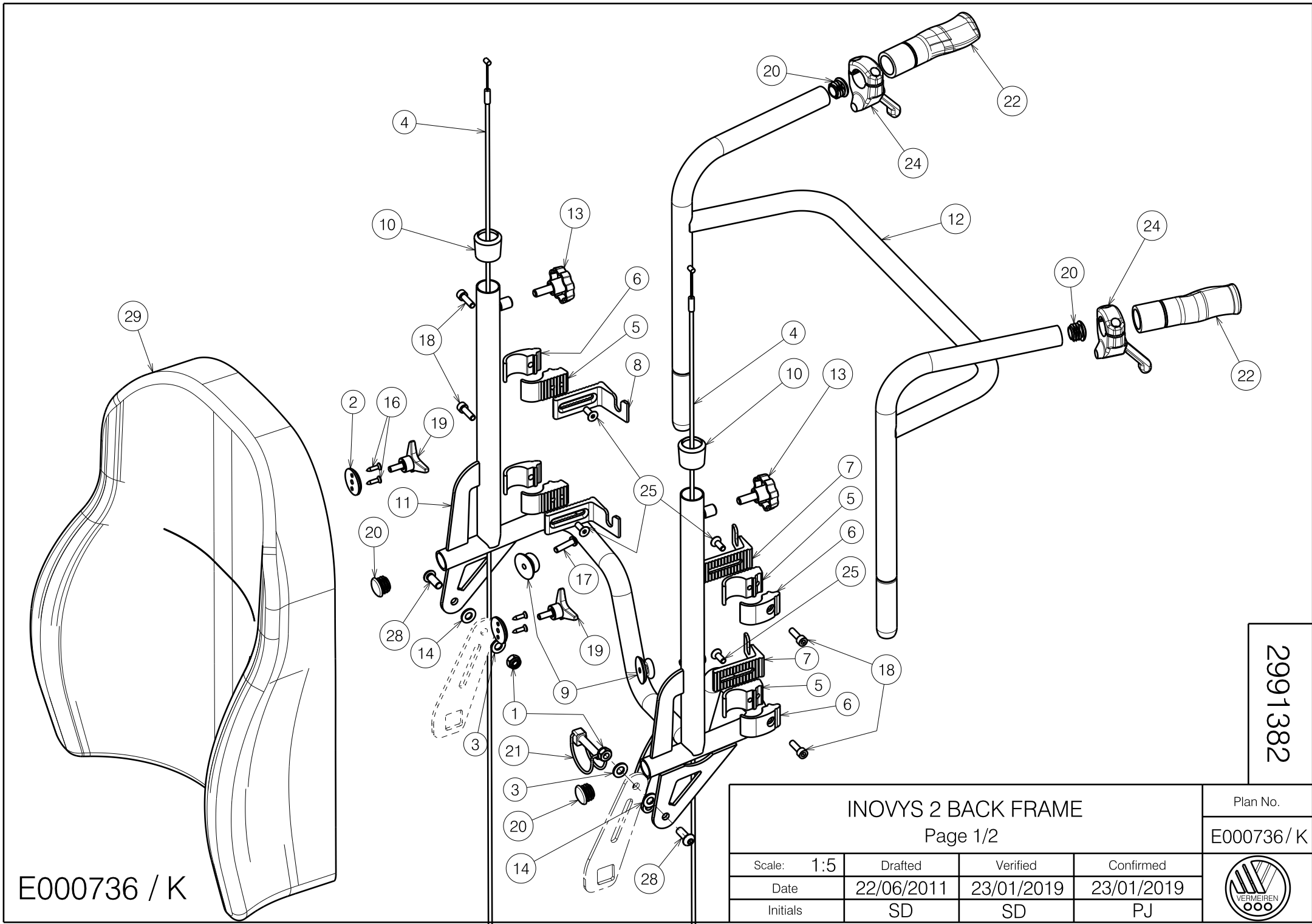
E000735 / J

Material							
No.	Plan	Article	Quantity	No.	Plan	Article	Quantity
1	X001016	1001682	2	16	M6 DIN125A	1001564	8
2	X001398	1009689	1	17	20x20	1001612	2
3	X002266	1992883	4	18	M6 DIN985	1001680	3
7	Y010813	16387.. (40)	1	19	M8x40	1008739	2
	Y007691	16628.. (45)	1	20	M6x35	1006057	1
	Y009834	16629.. (50)	1	21	M6x50	1006997	4
	YP06455	27343.. (35)	1	22	M6x12 DIN912	1001492	8
8	Y011640	1655100	1	24	M7	1900008	1
9	Y011652	1655200	1	25	M8x60	1900809	4
10	Y011405	16573.. (40)	1	27	M6x45	1991017	2
	Y011746	16630.. (45)	1	28	M8x45	1994473	2
	Y011938	16631.. (50)	1	29	400N	1005602	1
	YP06458	27344.. (35)	1	30	---	1906929 (40)	1
11	Y011748	1659900	2		---	1906931 (45)	1
12	Y012123	1675800	2		---	1906933 (50)	1
15	Y017835	1750554 (40)	1		---	2996477 (35)	1
	Y017804	1756154 (45)	1	31	M8 DIN125	1001556	1
	Y017836	1757254 (50)	1	32	X005575	2023600	2
	YP06460	2734554 (35)	1				

Sheet 2/2


E000735 / J

SEAT FRAME INOVYS 2 ZITFRAME INOVYS 2				Plan No.
				E000735 / J
Scale: 1:4	Drafted	Verified	Confirmed	
Date	21/06/2011	19/11/2018	19/11/2018	
Initials	SD	SD	PJ	



E000736 / K

2991382


<b>INOVYS 2 BACK FRAME</b> Page 1/2				Plan No. E000736 / K
Scale: 1:5	Drafted	Verified	Confirmed	
Date	22/06/2011	23/01/2019	23/01/2019	
Initials	SD	SD	PJ	

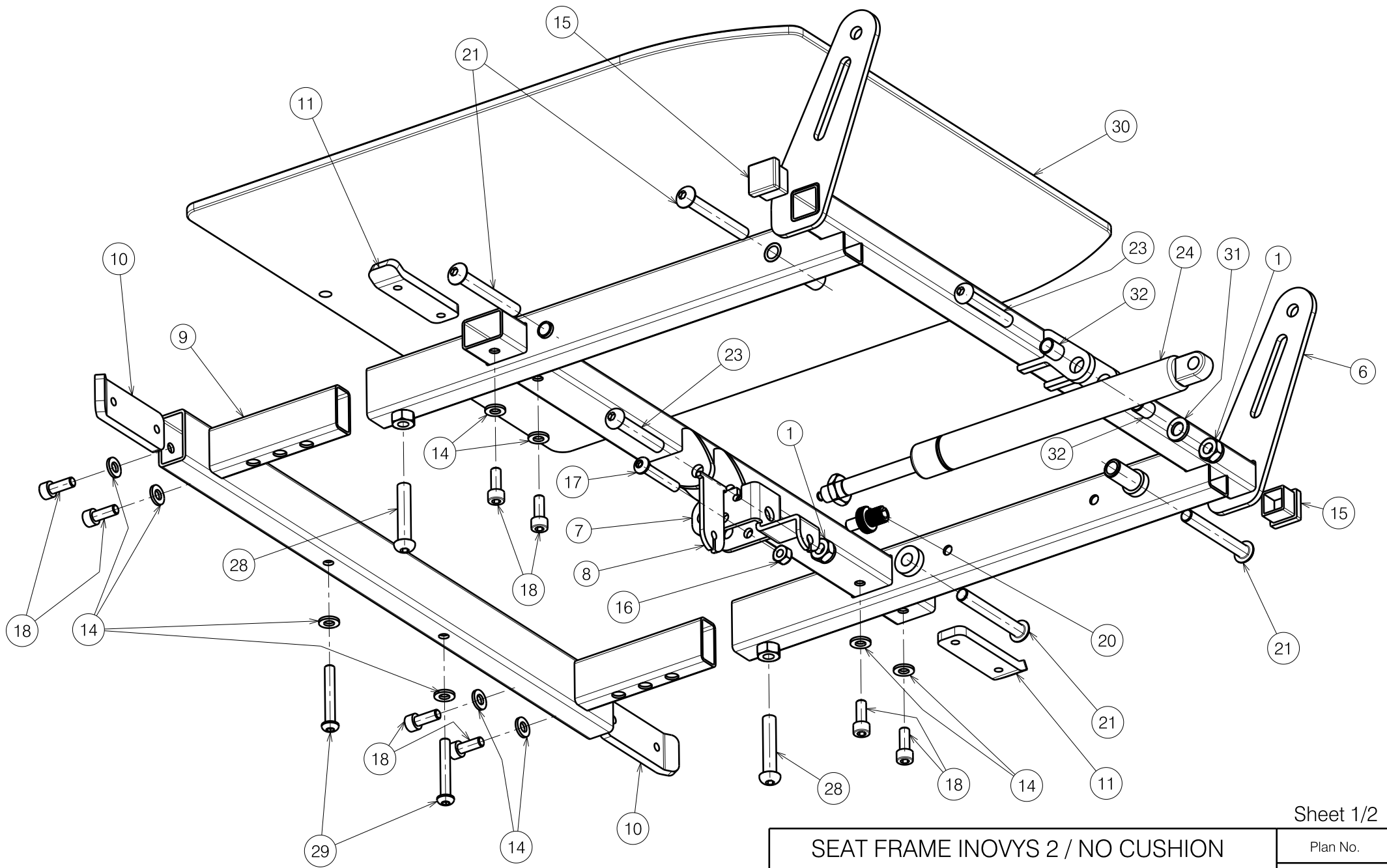
Material			
No.	Plan	Article	Quantity
1	X001016	1001682	2
2	X001052	G066600	2
3	X001119	1001554	2
4	X003646	1999963	2
5	X004833	1745032	4
6	X004832	1744932	4
7	X004822	1744732	2
8	X004823	1744832	2
9	X004861	1906454	2
10	Y004353	F000411	2
11	Y017806	17562.. (40)	1
	Y017651	17560.. (45)	1
	Y017807	17563.. (50)	1
	YP06467	27347.. (35)	1
12	Y018198	1765462 (40)	1
	Y018199	1765562 (45)	1
	Y018200	1765662 (50)	1
	YP06468	2734862 (35)	1
13	M8x20	1001580	2
14	M8 DIN125	1003199	2
16	3,9x16 DIN7982	1005767	4
17	M6x25 ISO7380	1006998	2
18	M6x20 DIN912	1001493	4
19	M6x20	1009932	2
20	Ø22	1990648	4
21	D8x40	1992510	1
22	X005513	1992600	2
24	---	1996806	2
25	M6X16 DIN7991	1994752	4
28	M8x20 ISO7380	1992349	2
29	L34	1906938 (40)	1
	L34	1906940 (45)	1
	L34	1906942 (50)	1
	L34	2996478 (35)	1

E000736 / K

(40 - 45 - 50 - 35 = Seat width)

2991382

INOVYS 2 BACK FRAME				Plan No.
Page 2/2				E000736 / K
Scale: 1:5	Drafted	Verified	Confirmed	
Date	22/06/2011	23/01/2019	23/01/2019	
Initials	SD	SD	PJ	



Sheet 1/2

SEAT FRAME INOVYS 2 / NO CUSHION  
 ZITFRAME INOVYS 2 / ZONDER KUSSEN

Plan No.

E000748 / G

Scale: 1:3

Drafted

Verified

Confirmed

Date

06/10/2011

19/11/2018

19/11/2018

Initials

SD

SD

PJ



E000748 / G

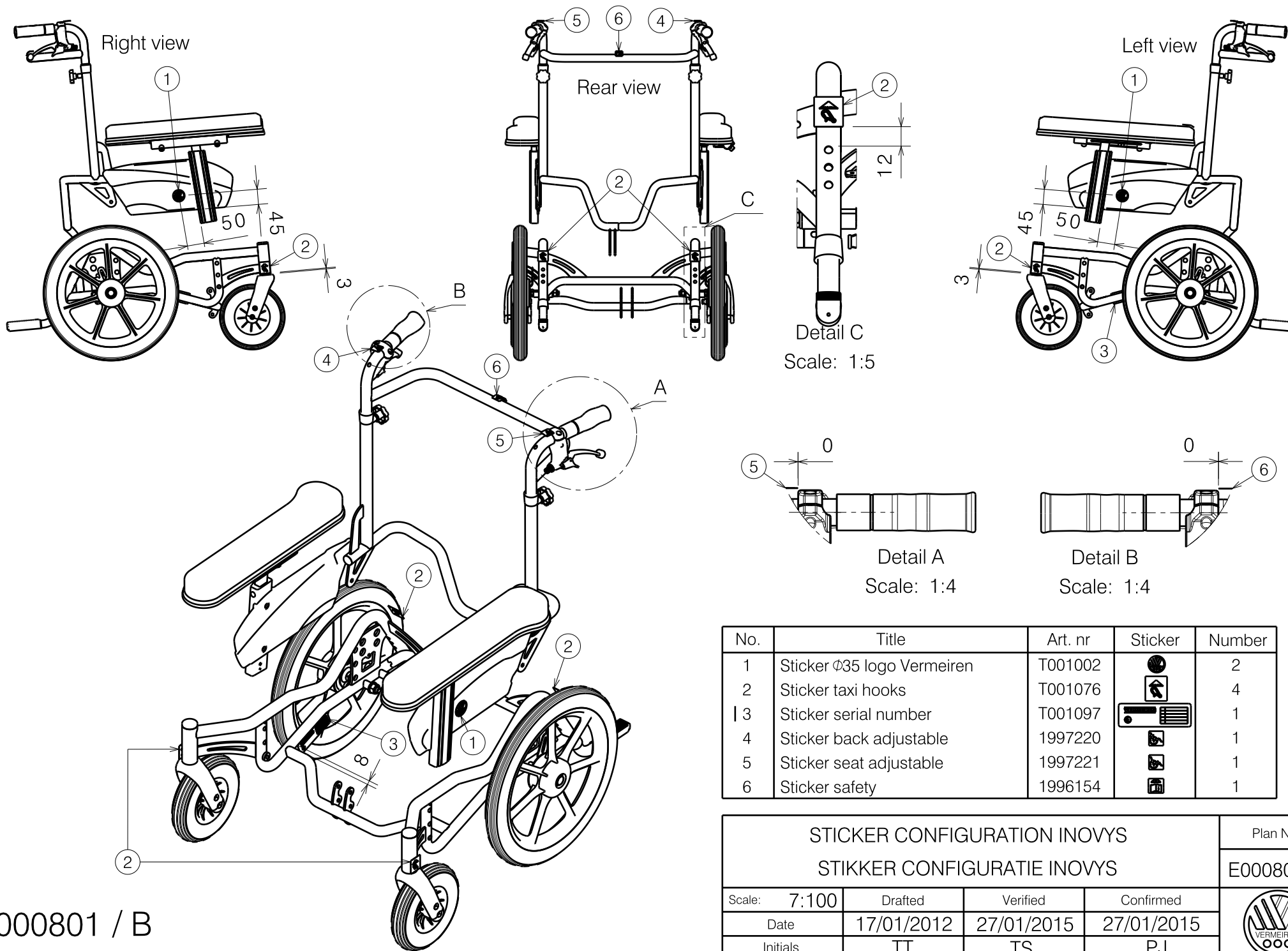
Material			
No.	Plan	Article	Quantity
1	X001016	1001682	2
2	X001398	1009689	1
6	Y010813	16387.. (40)	1
	Y007691	16628.. (45)	1
	Y009834	16629.. (50)	1
	YP06455	27343.. (35)	1
7	Y011640	1655100	1
8	Y011652	1655200	1
9	Y011405	16573.. (40)	1
	Y011746	16630.. (45)	1
	Y011938	16631.. (50)	1
	YP06458	27344.. (35)	1
10	Y011748	1659900	2
11	Y012123	1675800	2
14	M6 DIN125	1001564	10
15	---	1001612	2
16	M6 DIN985	1001680	1
17	M6x35 ISO7380	1006057	1
18	M6x16 DIN912	1001492	8
20	M7	1900008	1
21	M8x60 ISO7380	1900809	4
23	M8x45 ISO7380	1994473	2
24	400 N	1005602	1
28	M8x40 ISO7380	1008739	2
29	Ø32	1006111	2
30A	With velcro	1901287 (40)	1
	With velcro	1901288 (45)	1
	With velcro	1901289 (50)	1
	With velcro	2996475 (35)	1
30B	Without velcro	1913667 (40)	1
	Without velcro	1913668 (45)	1
	Without velcro	1913669 (50)	1
	Without velcro	2996476 (35)	1
31	M8 DIN125	1001556	1
32	X005575	2023600	2

Sheet 2/2

SEAT FRAME INOVYS 2 / NO CUSHION				Plan No.
ZITFRAME INOVYS 2 / ZONDER KUSSEN				E000748 / G
Scale: 1:3	Drafted	Verified	Confirmed	
Date	06/10/2011	19/11/2018	19/11/2018	
Initials	SD	SD	PJ	

E000748 / G

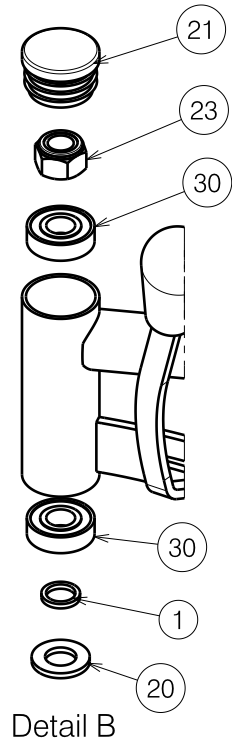




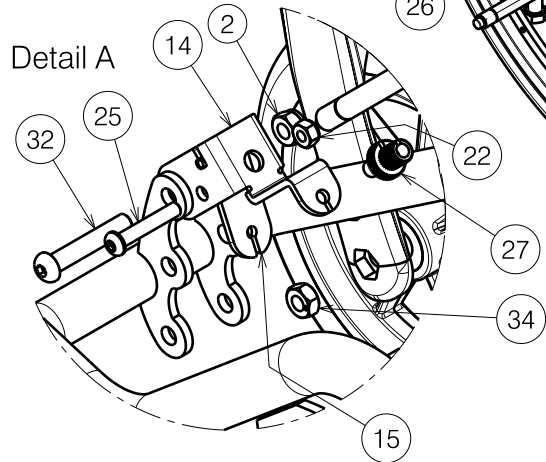
No.	Title	Art. nr	Sticker	Number
1	Sticker $\varnothing 35$ logo Vermeiren	T001002		2
2	Sticker taxi hooks	T001076		4
3	Sticker serial number	T001097		1
4	Sticker back adjustable	1997220		1
5	Sticker seat adjustable	1997221		1
6	Sticker safety	1996154		1

STICKER CONFIGURATION INOVYS				Plan No.
STIKKER CONFIGURATIE INOVYS				E000801 / B
Scale: 7:100	Drafted	Verified	Confirmed	
Date	17/01/2012	27/01/2015	27/01/2015	
Initials	TT	TS	PJ	

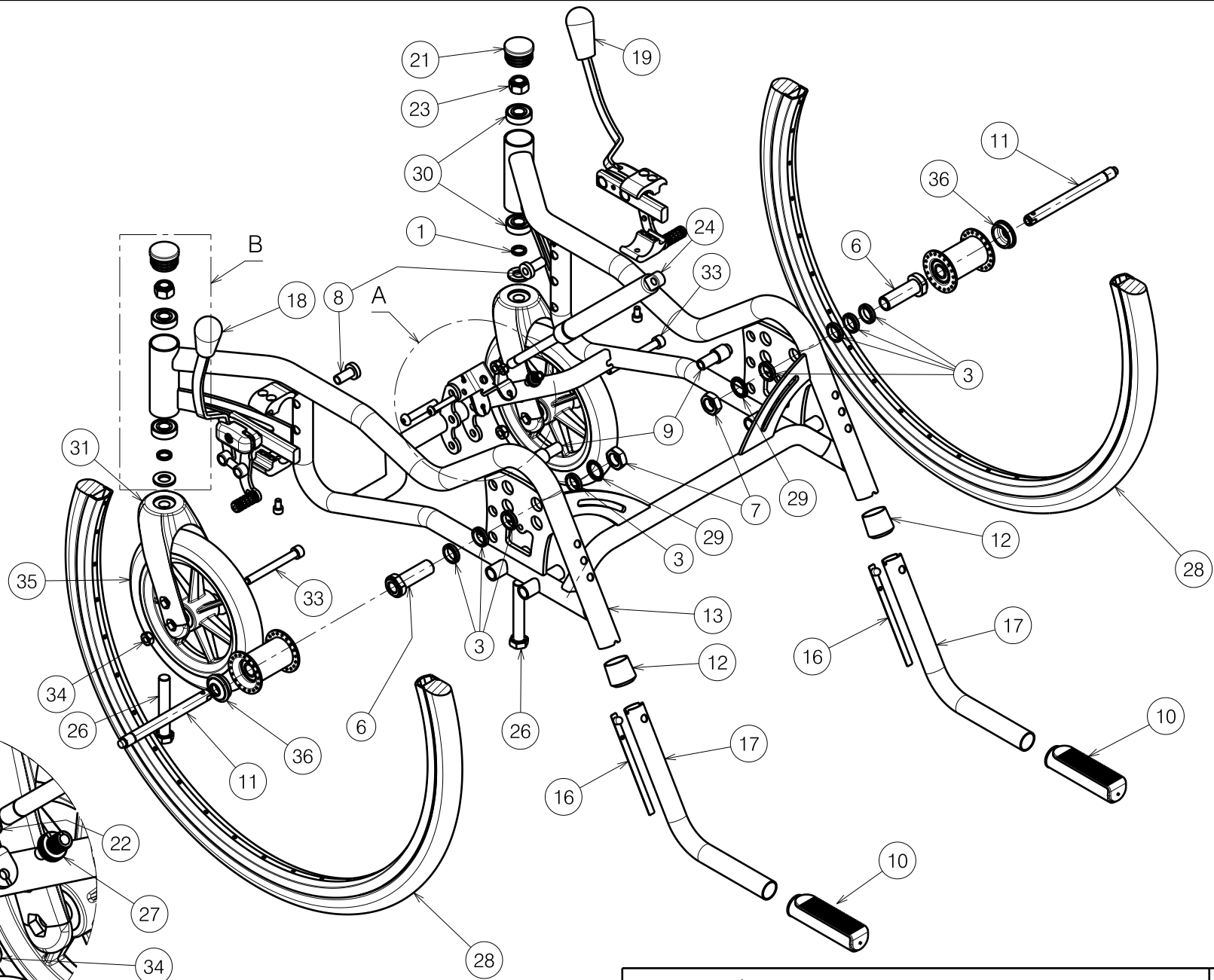
E000801 / B



Detail B



Detail A



E001066 / E


2993448

INOVYS 2 LOWER FRAME				Plan No.
Page 1/2				E001066 / E
Scale: 4:25	Drafted	Verified	Confirmed	
Date	08/03/2017	28/11/2019	28/11/2019	
Initials	SD	SD	PJ	

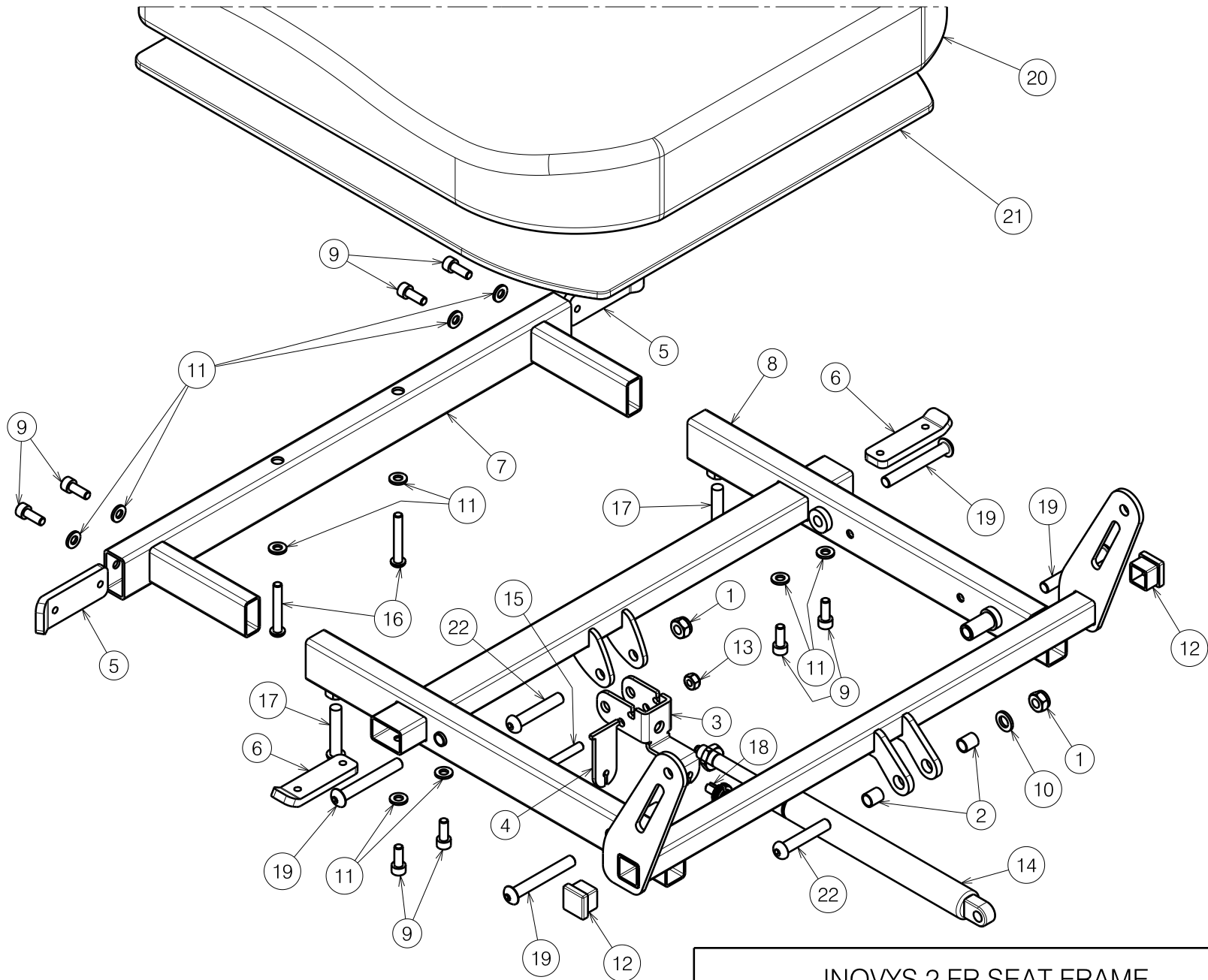
Material			
No.	Plan	Article	Quantity
1	X000188	G078500	2
2	X001016	1001682	1
3	X001380	1009726	8
6	---	1905244	2
7	X002437	1992699	2
8	X003451	1658800	2
9	X003452	1658900	2
10	X003596	1998528	2
11	X005720	1905243	2
12	Y004353	F000411	2
13	Y010736	16386.. (40)	1
	Y011927	16596.. (45)	1
	Y011934	16597.. (50)	1
	YP06450	27342.. (35)	1
14	Y011640	1655100	1
15	Y011652	1655200	1
16	Y016422	1000181	2
17	Y017901	1758901	2
18	Left	1910125	1
19	Right	1910126	1
20	M12 DIN125A	1001561	2
21	D32	1001610	2
22	M6 DIN985	1001680	1
23	M12 DIN98	1001684	2
24	400N	1005602	1
25	M6x35 ISO7380	1006057	1
26	M12x75 DIN931	1009991	2
27	M7	1900008	1
28	24 inch	1914602	2
29	M16 DIN17222	1911653	2
30	---	1992559	4
31	---	1992599	2
32	M8x45 ISO7380	1994473	1
33	M8x76 DIN7984	1998993	2
34	M8	1998994	2
35	200x30 PVC	1914608	2
36	X003800	1900347	2

E001066 / E


\* Note: other front and rear wheels available

INOVYS 2 LOWER FRAME Page 2/2				Plan No.
				E001066 / E
Scale: 4:25	Drafted	Verified	Confirmed	
Date	08/03/2017	28/11/2019	28/11/2019	
Initials	SD	SD	PJ	

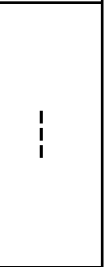
2993448




E001070 / A

<b>INOVYS 2 FR SEAT FRAME</b> Page 1/2				Plan No. E001070 / A
Scale: 1:4	Drafted	Verified	Confirmed	
Date	08/03/2017	08/03/2017	08/03/2017	
Initials	SD	SD	PJ	

Material			
No.	Plan	Article	Quantity
1	X001016	1001682	2
2	X005575	2023600	2
3	Y011640	1655100	1
4	Y011652	1655200	1
5	Y011748	1659900	2
6	Y012123	1675800	2
7	Y011405	16573.. (40)	1
	Y011746	16630.. (45)	1
	Y011938	16631.. (50)	1
8	Y010813	16387.. (40)	1
	Y007691	16628.. (45)	1
	Y009834	16629.. (50)	1
9	M6x16 DIN912	1001492	8
10	M8 DIN125	1001556	1
11	M6 DIN125	1001564	10
12	20x20	1001612	2
13	M6 DIN985	1001680	1
14	400N	1005602	1
15	M6x35 ISO7380	1006057	1
16	M6x40 ISO7380	1006111	2
17	M8x40 ISO7380	1008739	2
18	M7	1900008	1
19	M8x60 ISO7380	1900809	4
20	B23 size 40	1908228	1
	B23 size 45	1908229	1
	B23 size 50	1908230	1
21	Size 40	1913667	1
	Size 45	1913668	1
	Size 50	1913669	1
22	M8x45 ISO7380	1994473	2



E001070 / A


<b>INOVYS 2 FR SEAT FRAME</b> Page 2/2				Plan No.
				E001070 / A
Scale: 1:4	Drafted	Verified	Confirmed	
Date	08/03/2017	08/03/2017	08/03/2017	
Initials	SD	SD	PJ	

no.	description	art.no.
1.	WHEEL 150X30 PU DG (60) A3 32-86	1914611



EF00001/A

1914611


WHEEL 150X30 PU DG (60) A3 32-86				Plan No. / Plan nr.
				EF00001/A
	Drafted	Verified	Confirmed	
Date	22/06/2020	22/06/2020	22/06/2020	
Init.	LG	SD	SD	

no.	description	art.no.
1.	WHEEL 140X40 PU DG B3 40-60	1914613

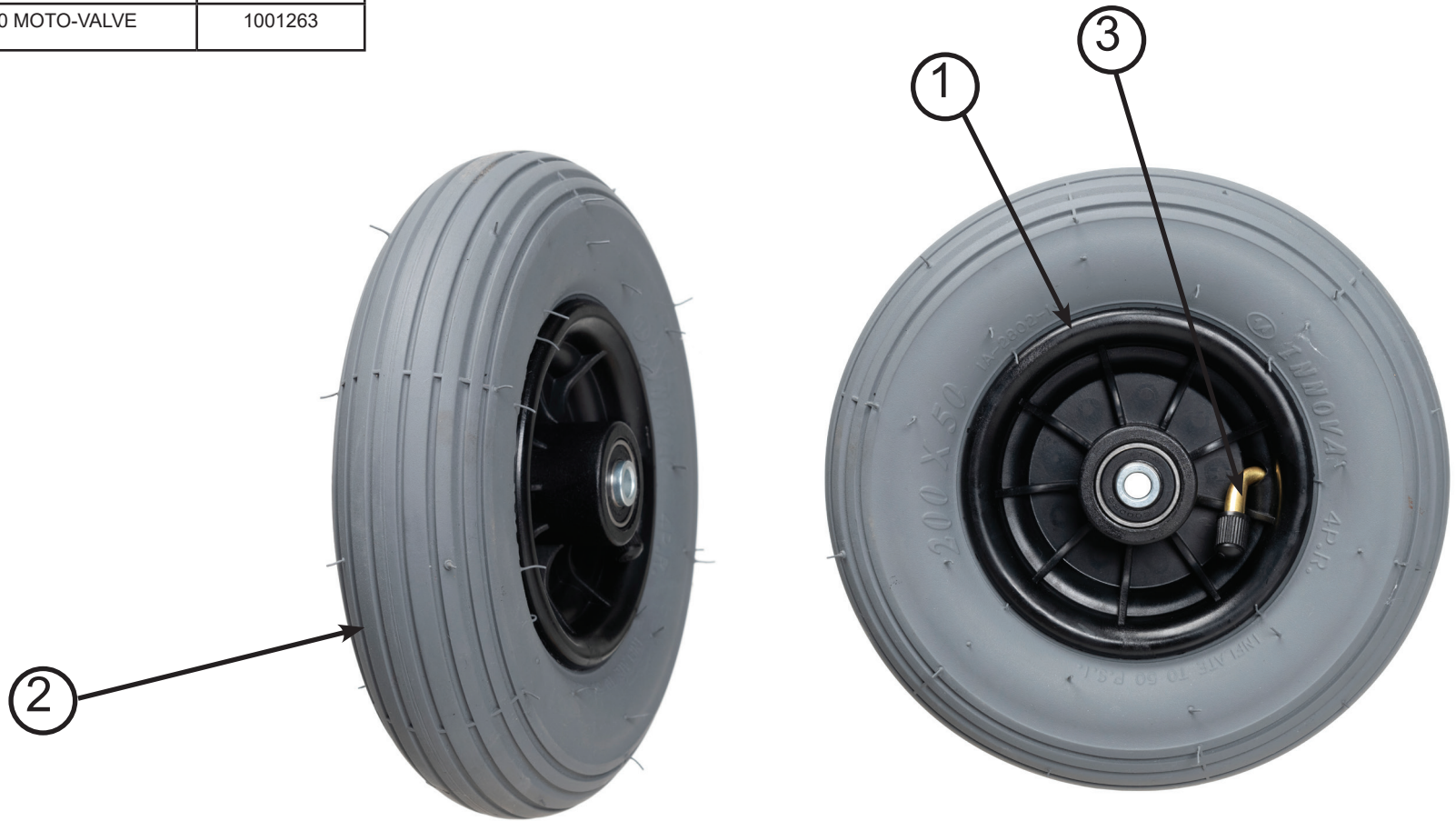


EF00003/A

1914613

WHEEL 140X40 PU DG B3 40-60				Plan No. / Plan nr.
				EF00003/A
	Drafted	Verified	Confirmed	
Date	22/06/2020	22/06/2020	22/06/2020	
Init.	LG	SD	SD	

no.	description	art.no.
	WHEEL 200X50 AIR DG 50-94	1915824
1	DISK WHEEL 200X50 PLASTIC FOR AIR TYRE	3990410
2	TIRE 200X50 DG 50-94	3993164
3	INNER TUBE 200X50 MOTO-VALVE	1001263



EF00006/A

1915824

WHEEL 200X50 AIR DG 50-94			Plan No. / Plan nr.
			EF00006/A
	Drafted	Verified	Confirmed
Date	22/06/2020	22/06/2020	22/06/2020
Init.	LG	SD	SD





no.	description	art.no.
	WHEEL 24"B74 PU DG D12 D3 37-540	1914614



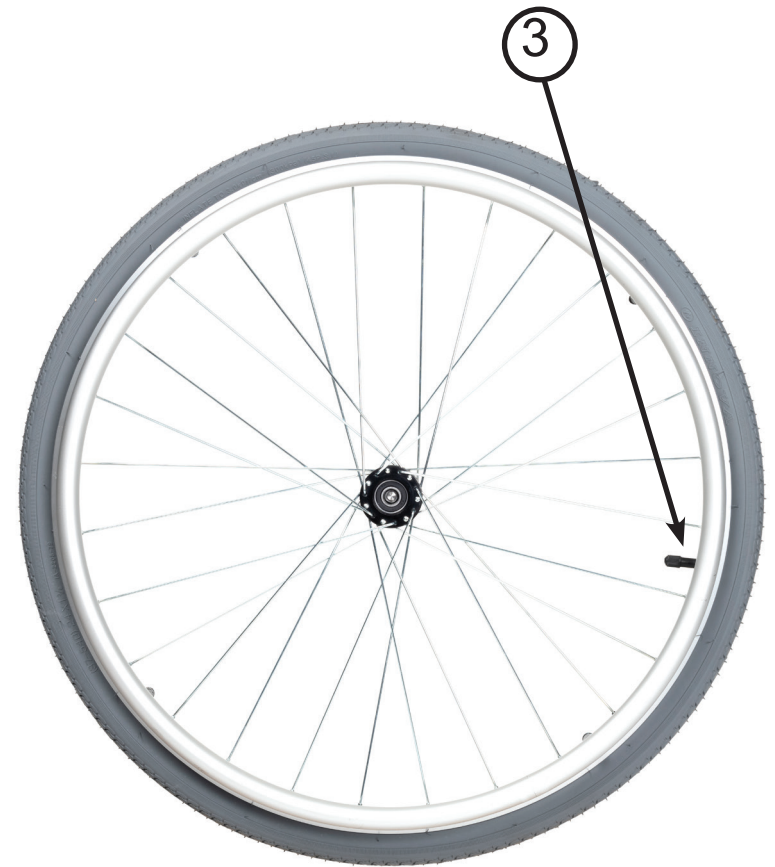
EF00007/A

1914614

WHEEL 24"B74 PU DG D12 D3 37-540			Plan No. / Plan nr.
			EF00007/A
	Drafted	Verified	Confirmed
Date	22/06/2020	22/06/2020	22/06/2020
Init.	LG	SD	SD




no.	description	art.no.
	WHEEL 24" AIR DG D12 37-540	1915823
1	RIM 24"X1 3/8, 28H, 4SLOTST	3990339
2	TIRE 24"X1"3/8 DG D12 37-540	3993163
3	INNER TUBE 24"X1"3/8 MOTO VALVE	1001296



EF00009/A

1915823


WHEEL 24" AIR DG D12 37-540				Plan No. / Plan nr.
				EF00009/A
	Drafted	Verified	Confirmed	
Date	06/07/2020	06/07/2020	06/07/2020	
Init.	LG	SD	SD	

no.	description	art.no.
1.	WHEEL 12"B74L PU DG E3 62-203	1914619



EF00014/A

1914619


WHEEL 12"B74L PU DG E3 62-203				Plan No. / Plan nr.
				EF00014/A
	Drafted	Verified	Confirmed	
Date	11/08/2020	11/08/2020	11/08/2020	
Init.	LG	SD	SD	

no.	description	art.no.
1.	WHEEL 12"B74R PU DG E3 62-203	1914620



EF00015/A

1914620

WHEEL 12"B74R PU DG E3 62-203				Plan No. / Plan nr.
				EF00015/A
	Drafted	Verified	Confirmed	
Date	11/08/2020	11/08/2020	11/08/2020	
Init.	LG	SD	SD	

no.	description	art.no.
1	WHEEL 24" PU DG D12 D3 37-540	1914602



EF00113/A

1914602

WHEEL 24" PU DG D12 D3 37-540			Plan No.
			EF00113/A
	Drafted	Verified	Confirmed
Date	25/08/2020	25/08/2020	25/08/2020
Init.	LG	SD	SD




no.	description	art.no.
1	WHEEL 200X30 PU DG A3 32-137	1914606



EF00114/A

1914606

WHEEL 200X30 PU DG A3 32-137				Plan No.
				EF00114/A
	Drafted	Verified	Confirmed	
Date	25/08/2020	25/08/2020	25/08/2020	
Init.	LG	SD	SD	

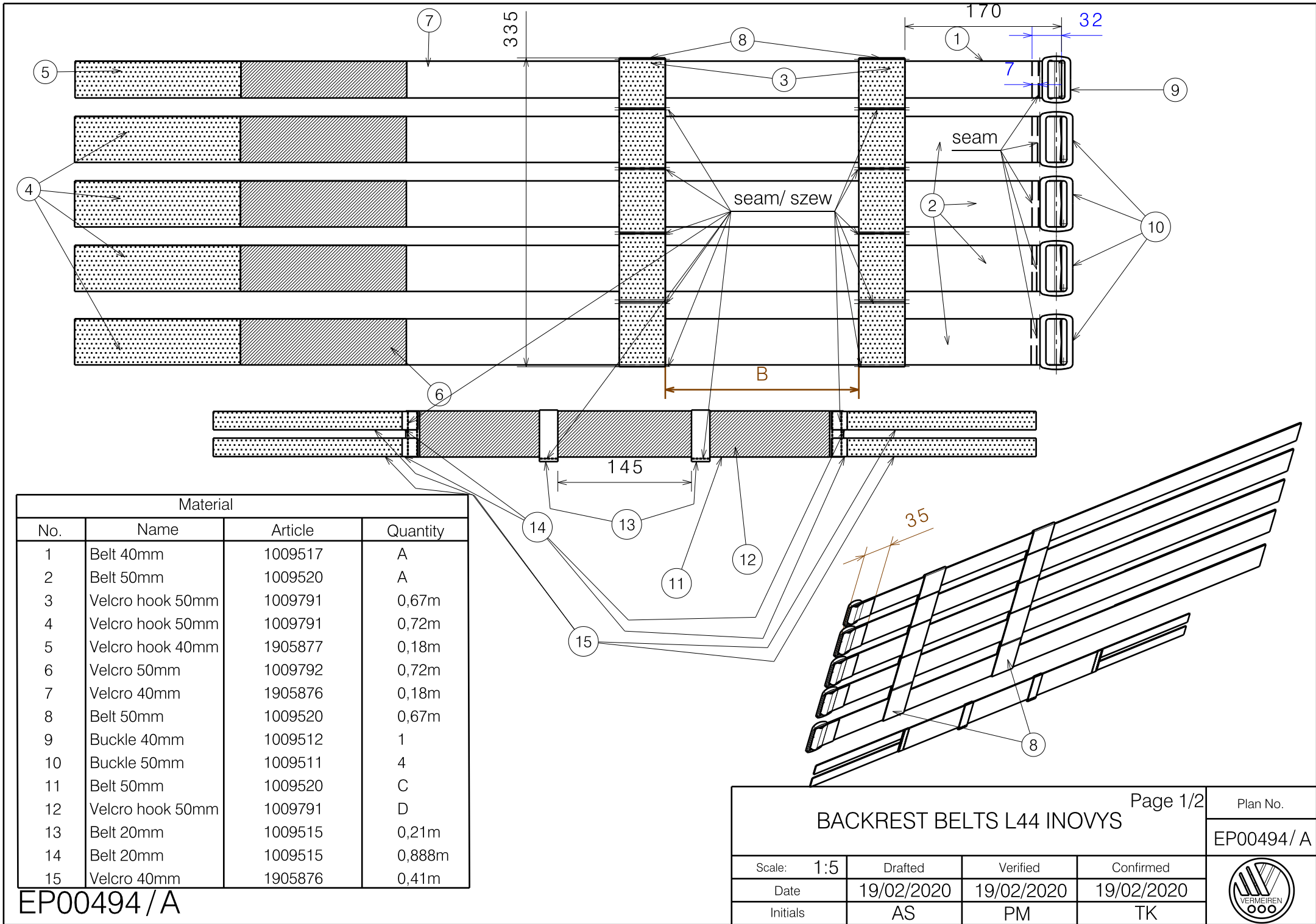
no.	description	art.no.
1	WHEEL 200X50 PU DG A3 50-94	1914609



EF00115/A


1914609

WHEEL 200X50 PU DG A3 50-94				Plan No.
				EF00115/A
	Drafted	Verified	Confirmed	
Date	25/08/2020	25/08/2020	25/08/2020	
Init.	LG	SD	SD	



Material			
No.	Name	Article	Quantity
1	Belt 40mm	1009517	A
2	Belt 50mm	1009520	A
3	Velcro hook 50mm	1009791	0,67m
4	Velcro hook 50mm	1009791	0,72m
5	Velcro hook 40mm	1905877	0,18m
6	Velcro 50mm	1009792	0,72m
7	Velcro 40mm	1905876	0,18m
8	Belt 50mm	1009520	0,67m
9	Buckle 40mm	1009512	1
10	Buckle 50mm	1009511	4
11	Belt 50mm	1009520	C
12	Velcro hook 50mm	1009791	D
13	Belt 20mm	1009515	0,21m
14	Belt 20mm	1009515	0,888m
15	Velcro 40mm	1905876	0,41m

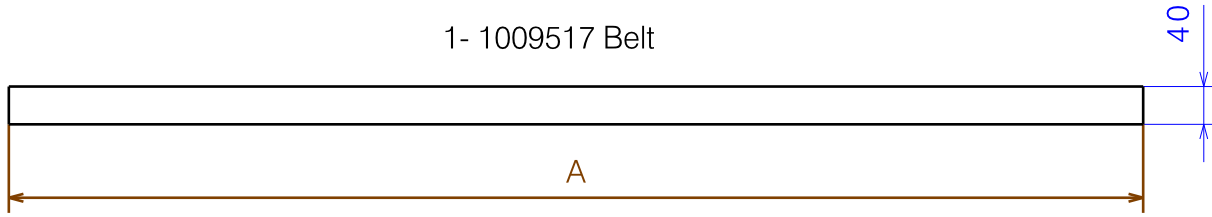
EP00494 / A

BACKREST BELTS L44 INOVYS				Page 1/2	Plan No.
				EP00494 / A	
Scale: 1:5	Drafted	Verified	Confirmed		
Date	19/02/2020	19/02/2020	19/02/2020		
Initials	AS	PM	TK		

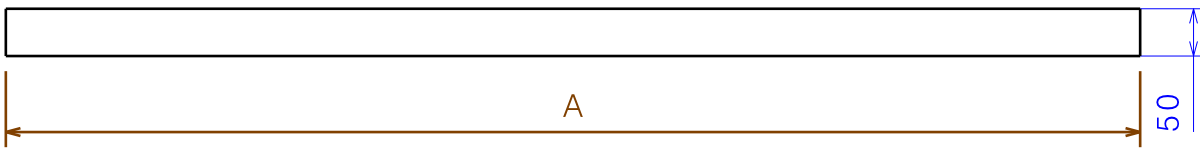


# Prepere Materials:

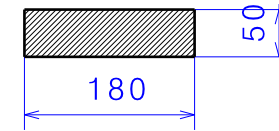
1- 1009517 Belt



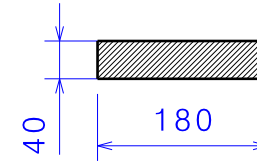
2-1009520 Belt



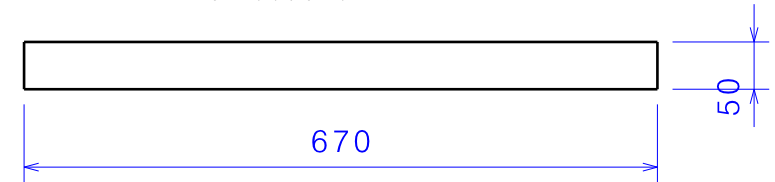
6-1009792 Velcro



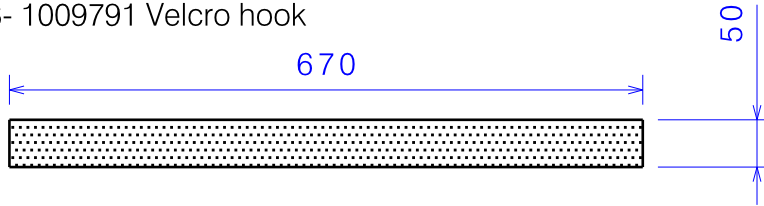
7-1905876 Velcro



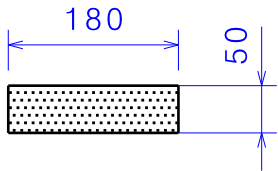
8-1009520 Belt



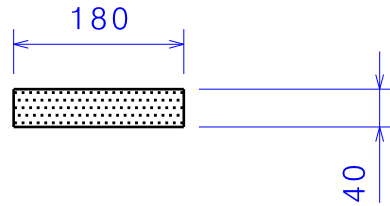
3- 1009791 Velcro hook



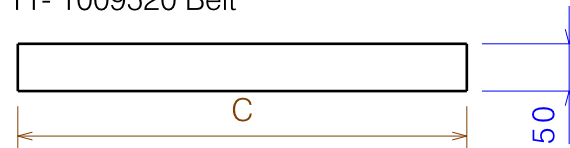
4-1009791 Velcro hook



5-1905877 Velcro hook



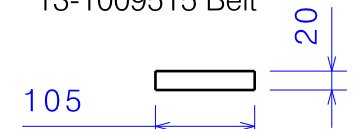
11- 1009520 Belt



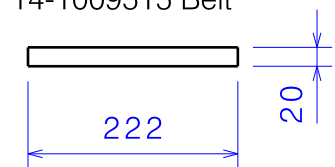
12- 1009791 Velcro



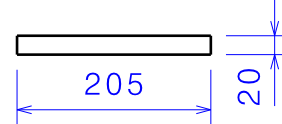
13-1009515 Belt



14-1009515 Belt



15- 1905877 Velcro hook 40mm cutted half



Type	35	40	45	50
A	1000	1100	1200	1300
B	160	210	260	310
C	425	475	525	575
D	395	445	495	545

## BACKREST BELTS L44 INOVYS

Page 2/2

Plan No.

EP00494 / A

Scale: 1:5

Drafted

Verified

Confirmed

Date

19/02/2020

19/02/2020

19/02/2020

Initials

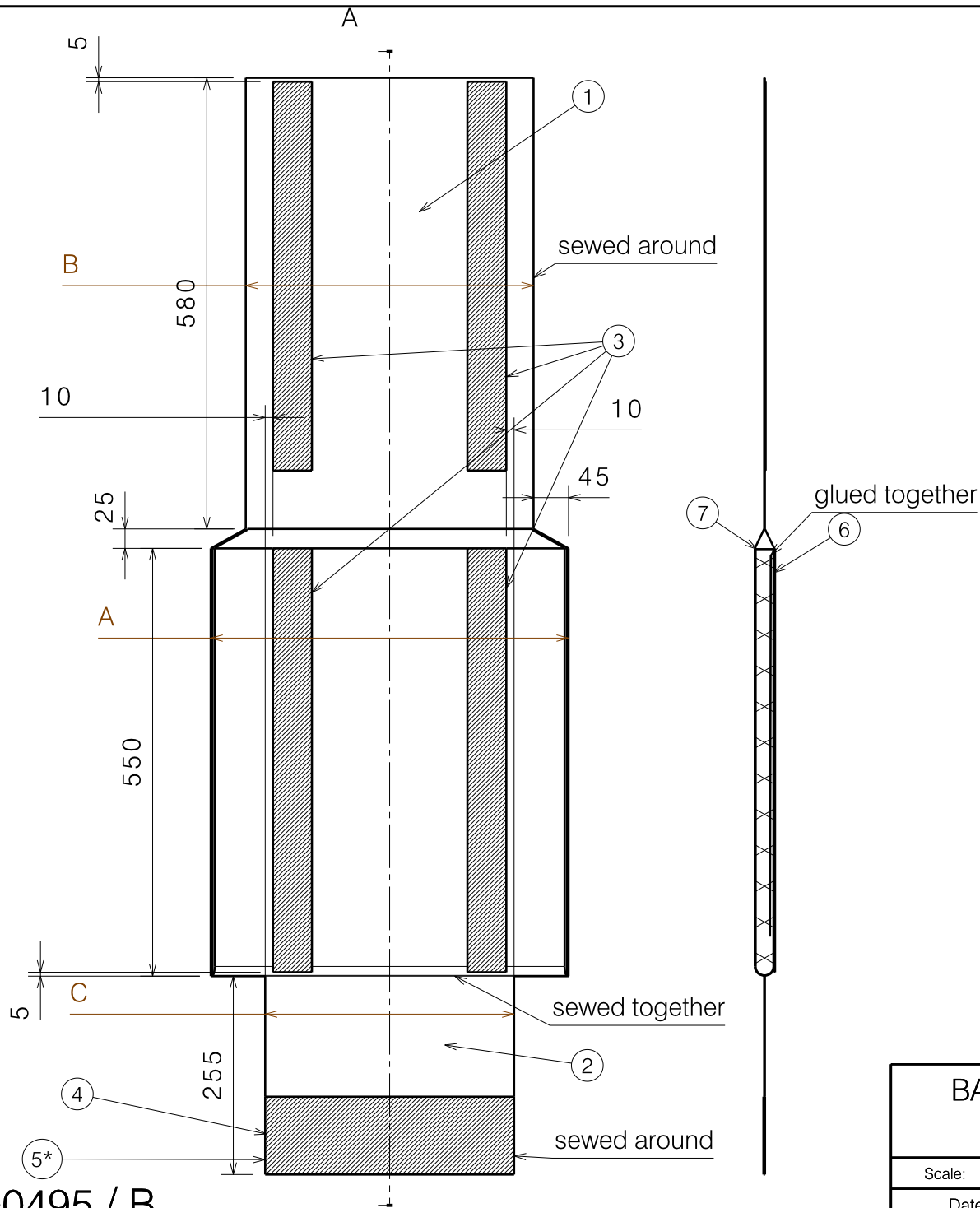
AS

PM

TK



EP00494 / A




Material			
No.	Plan	Article	Quantity
1	Soft	1907554	1,2m
2	Soft	1907554	0,25m
3	Velcro 50mm	1009792	2,2m
4	Velcro 100mm	2991789	C m
5	Velcro hook 100mm	2991788	C m
6	Foam 5mm	1990296	0,125m
7	Foam 20mm	2990519	0,125m

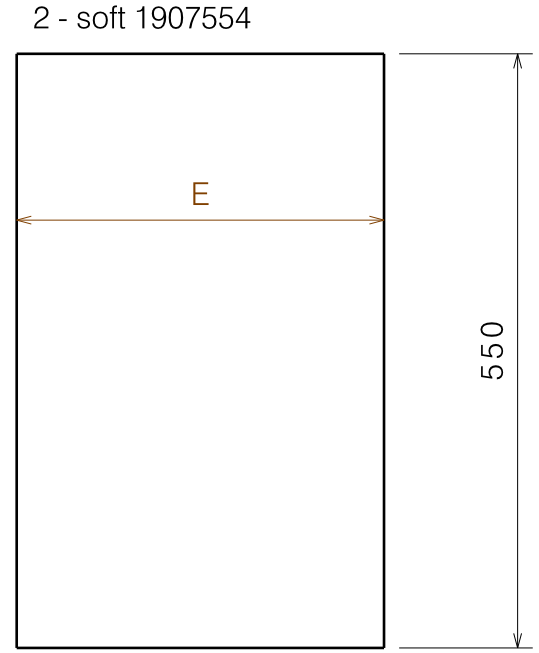
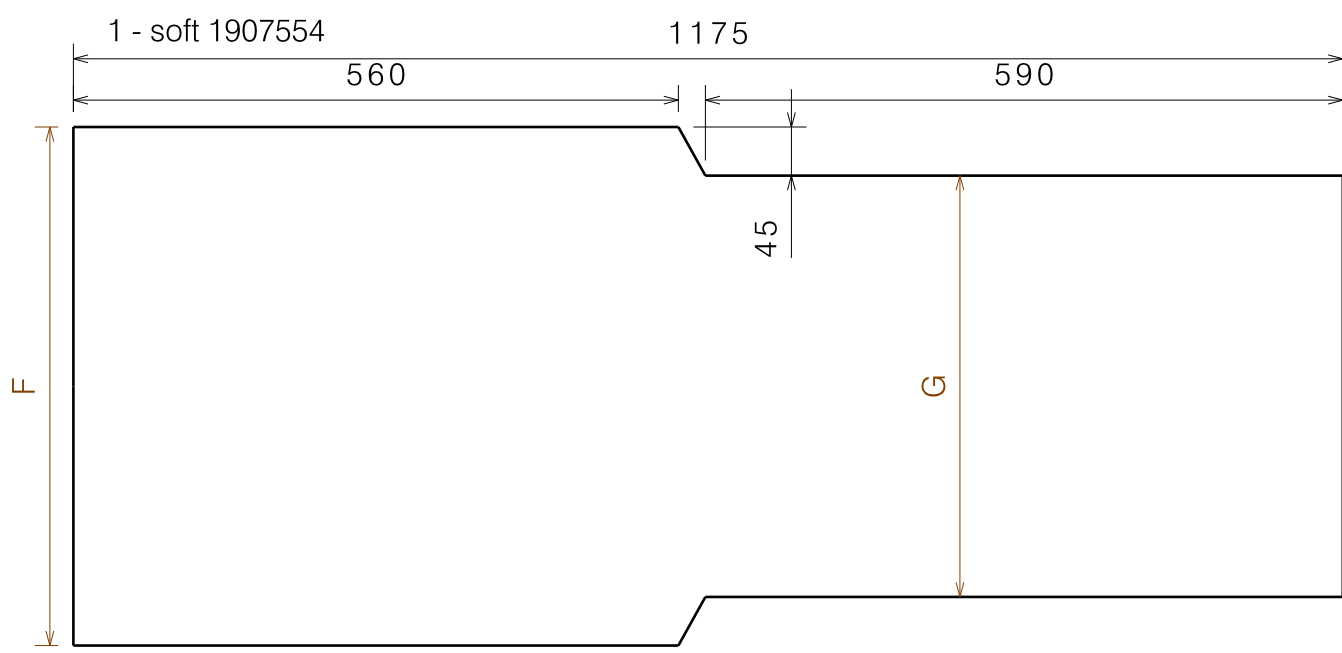
Size	35	40	45	50
A	360	410	460	510
B	270	320	370	420
C	220	270	320	370

\*on the second side

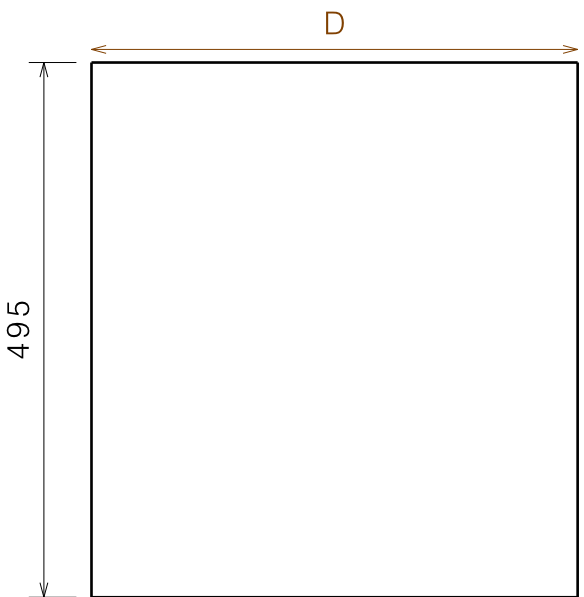
EP00495 / B

Section view A-A

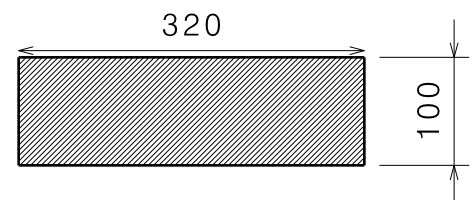
BACKREST UPHOLSTERY L44 INOVYS				Plan No.
Sheet 1/2				EP00495/ B
Scale: 1:8	Drafted	Verified	Confirmed	
Date	6/03/2020	16/03/2020	16/03/2020	
Initials	PM	AS	TK	



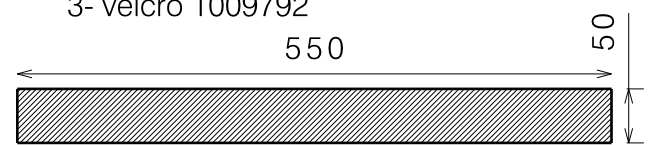
6 and 7 - foam 5+20mm - 1990296+2990519



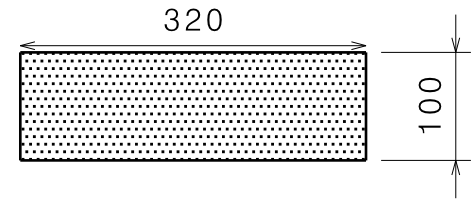
4- velcro 2991789



3- velcro 1009792



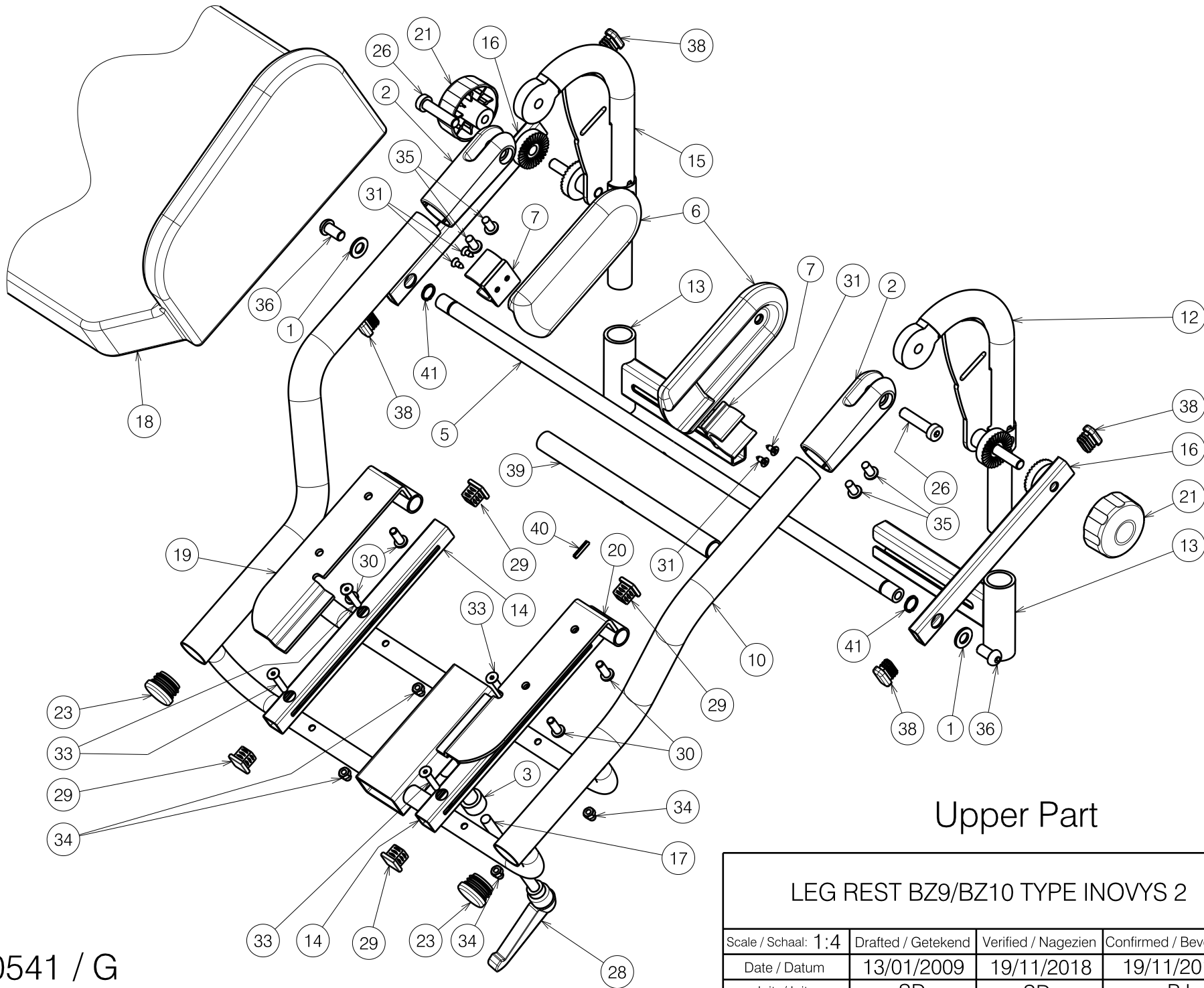
5- velcro hook 2991788



Size	35	40	45	50
D	350	400	450	500
E	240	290	340	390
F	380	430	480	530
G	290	340	390	440

EP00495 / B


BACKREST UPHOLSTERY L44 INOVYS				Plan No.
				EP00495/ B
Sheet 2/2				
Scale: 1:8	Drafted	Verified	Confirmed	
Date	6/03/2020	16/03/2020	16/03/2020	
Initials	PM	AS	TK	

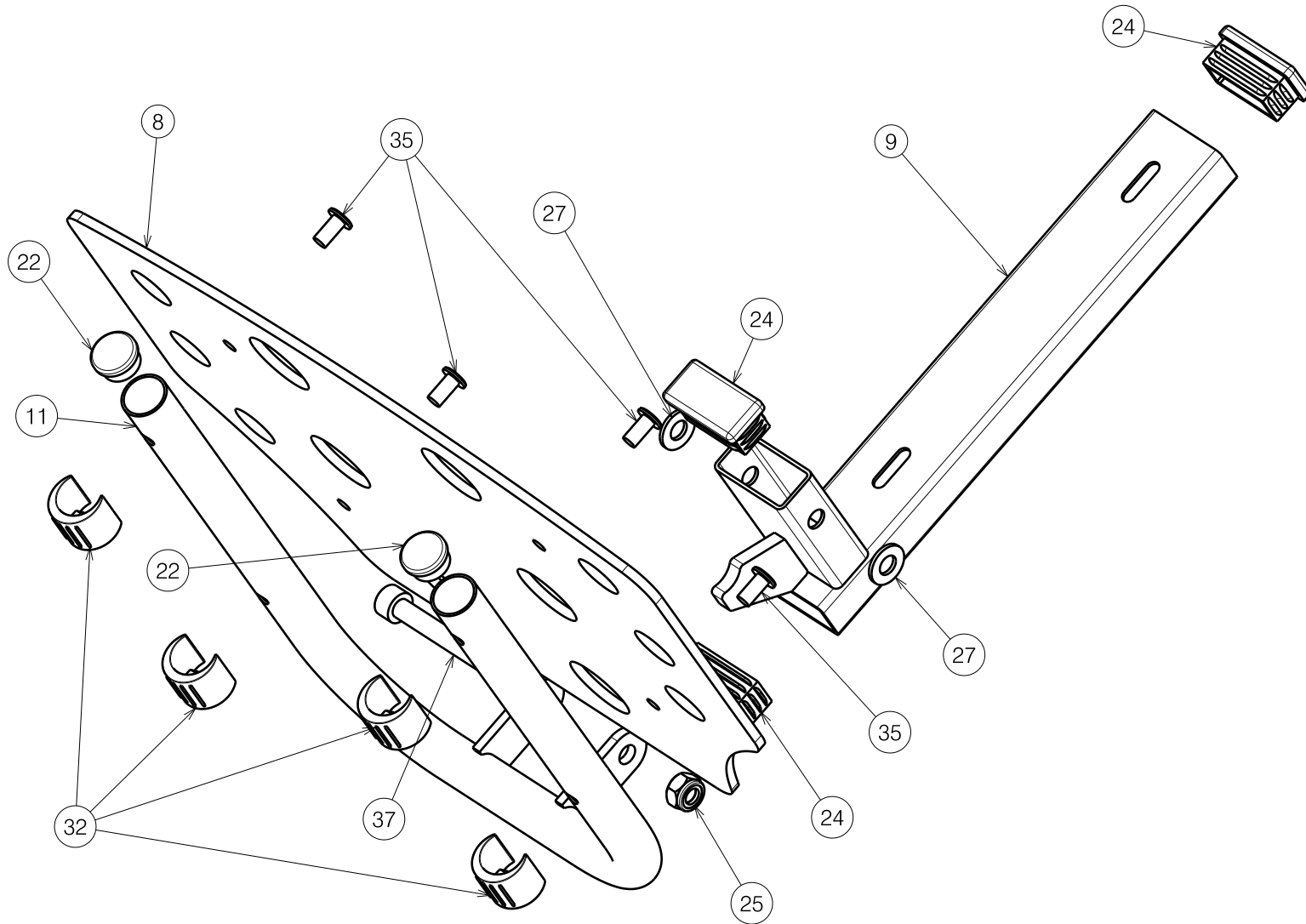


### Upper Part

Sheet 1/3

E000541 / G


<b>LEG REST BZ9/BZ10 TYPE INOVYS 2</b>				Plan No. / Plannr.
				E000541 / G
Scale / Schaal: <b>1:4</b>	Drafted / Getekend	Verified / Nagezien	Confirmed / Bevestigd	
Date / Datum	13/01/2009	19/11/2018	19/11/2018	
Init. / Init.	SD	SD	PJ	



## Lower Part

Sheet 2/3

E000541 / G

LEG REST BZ9/BZ10 TYPE INOVYS 2				Plan No. / Plannr.
				E000541 / G
Scale / Schaal: 1:4	Drafted / Getekend	Verified / Nagezien	Confirmed / Bevestigd	
Date / Datum	13/01/2009	19/11/2018	19/11/2018	
Init. / Init.	SD	SD	PJ	


Material / Materiaal				Material / Materiaal			
No. / Nr.	Plan	Article / Artikel	Quantity / Aantal	No. / Nr.	Plan	Article / Artikel	Quantity / Aantal
1	X001119	1001554	2	30	---	1008459	4
2	X003492	1900607	2	31	---	1901212	4
3	X003478	1998374	1	32	---	1902841	4
5	X003729	1638400 (40)	1	33	---	1901771	4
	X004375	1709600 (45)	1	34	---	1992804	4
	X004376	1710500 (50)	1	35	---	1992835	8
	XP02094	GP16500 (35)	1	36	---	1991858	2
6	X003793	1900442	2	37	---	1997781	1
7	XP00106	2990072	2	38	---	1001621	4
8	Y005699	1599654	1	39	Y007782	1608125	1
9	Y012109	1665300	1		YP06888	2765525 (35)	1
10	Y012100	1665225 (40)	1	40	---	1003791	1
	Y014152	1710225 (45)	1	41	---	1008090	2
	Y014735	1710325 (50)	1				
	YP06473	2735025 (35)	1				
11	Y012110	1665425	1				
12	Y013006	1689625	1				
13	Y013026	1665525	2				
14	Y013637	1710100	2				
15	Y014503	1704925	1				
16	Y014504	1697725	2				
17	---	1401000	1				
18A	---	1903777 (40)	1				
	---	1903779 (45)	1				
	---	1903780 (50)	1				
	---	2996473 (35)	1				
18B	---	1914621 (40)	1				
	---	1914622 (45)	1				
	---	1914623 (50)	1				
	---	2996474 (35)	1				
19	Y014413	1708500	1				
20	Y014580	1708400	1				
21	---	1001581	2				
22	---	1001602	2				
23	---	1001608	2				
24	---	1001615	3				
25	---	1001682	1				
26	---	1003067	2				
27	---	1003199	2				
28	---	1005860	1				
29	---	1005899	4				

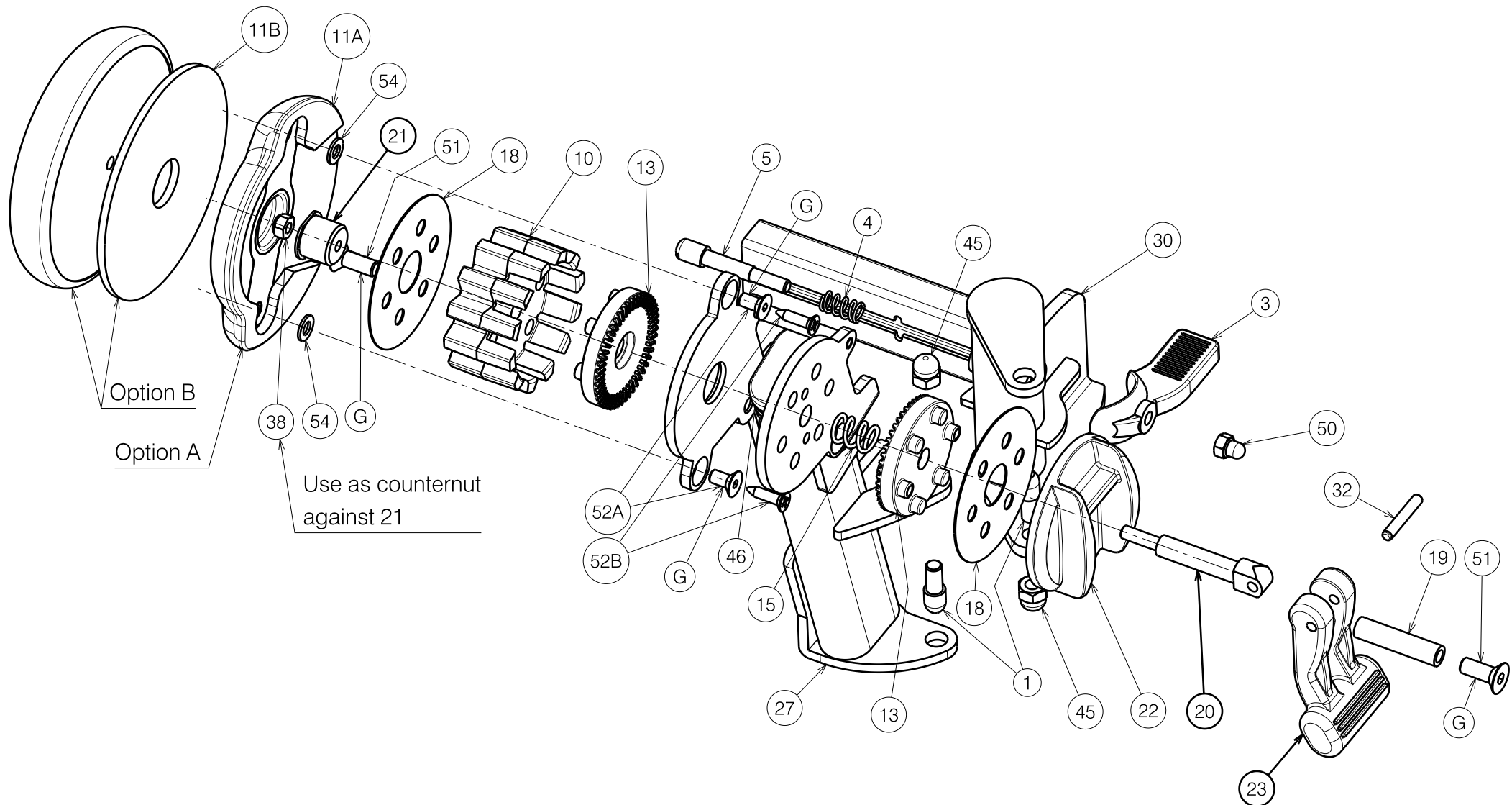
18A without B22

18B with B22


Sheet 2/3

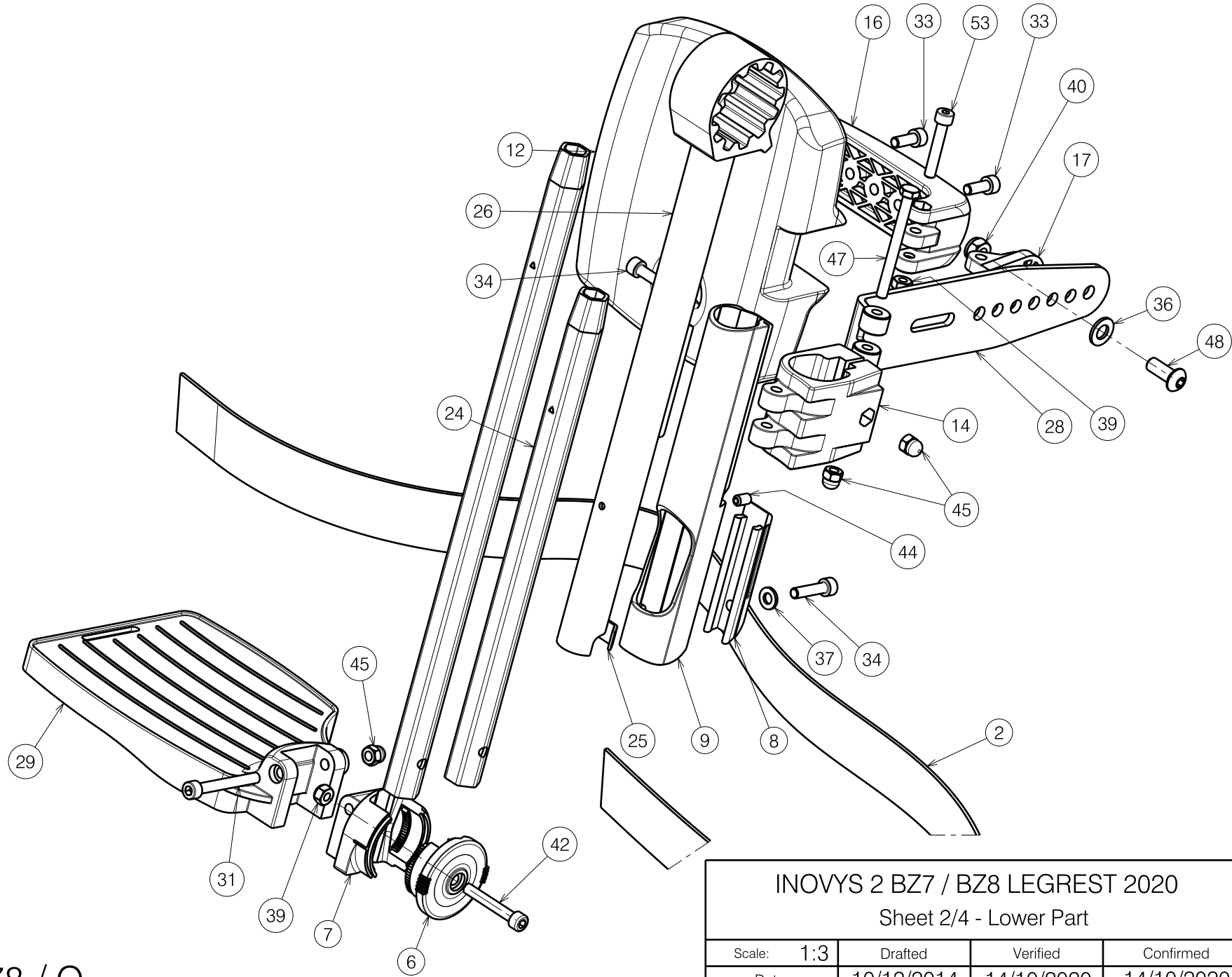
E000541 / G

LEG REST BZ9/BZ10 TYPE INOVYS 2				Plan No. / Plannr.
				E000541 / G
Scale / Schaal: 1:4	Drafted / Getekend	Verified / Nagezien	Confirmed / Bevestigd	
Date / Datum	13/01/2009	19/11/2018	19/11/2018	
Init. / Init.	SD	SD	PJ	



E000978 / O

INOVYS 2 BZ7 / BZ8 LEGREST 2020 Sheet 1/4 - Upper Part				Plan No. E000978/O
Scale: 1:3	Drafted	Verified	Confirmed	
Date	10/12/2014	14/10/2020	14/10/2020	
Initials	SD	SD	PJ	

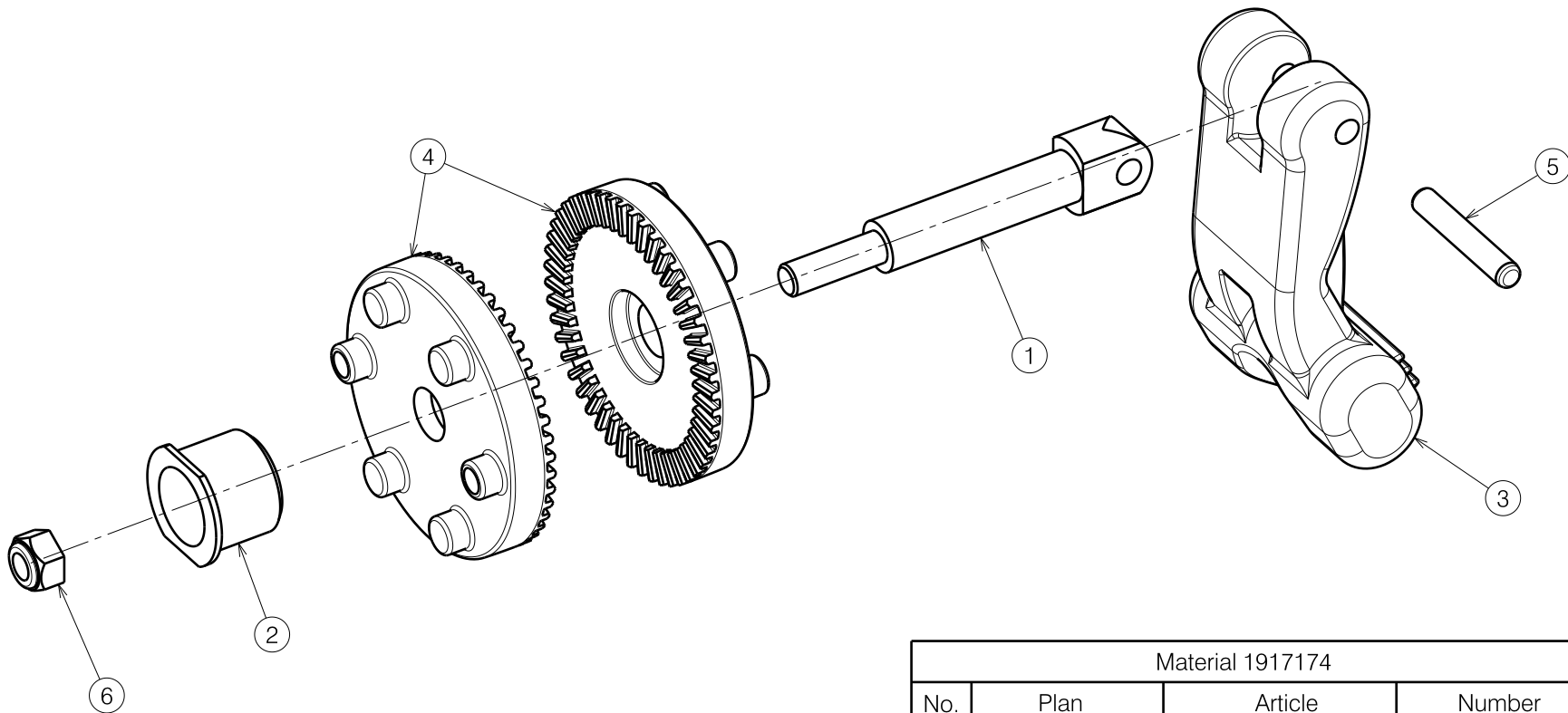


E000978 / O

<p>INOVYS 2 BZ7 / BZ8 LEGREST 2020</p> <p>Sheet 2/4 - Lower Part</p>				<p>Plan No.</p> <p>E000978/O</p>
Scale:	1:3	Drafted	Verified	Confirmed
Date	10/12/2014	14/10/2020	14/10/2020	
Initials	SD	SD	PJ	







Material 1917174			
No.	Plan	Article	Number
1	X005028	G103900	1
2	X005046	G103800	1
3	X005055	1917169	1
4	X005880	1915832	2
5	G0409	G0409	1
6	1001679	1001679	1

Quantities are for one side

1917174

<b>INOVYS 2 BZ7 / BZ8 LEGREST 2020</b> Sheet 3/4 - Replacement kit				Plan No.
				E000978/O
Scale: 1:3	Drafted	Verified	Confirmed	
Date	10/12/2014	14/10/2020	14/10/2020	
Initials	SD	SD	PJ	

E000978 / O

Material							
No.	Plan	Article	Quantity	No.	Plan	Article	Quantity
1	X000227	1465200	2	28	Y020995	2009154	1
2	---	1905642	1	29	X004457 (40)	1904475 (L)	1
3	X002126	1992429	1		X004453 (40)	1904210 (R)	1
4	X002169	1992791	1		X004572 (45-50)	1904648 (L)	1
5	X004360	G080000	1		X004573 (45-50)	1904649 (R)	1
6	X004464	1904212	1	30	Y021063	2009654 (L)	1
7	X004465	1904213	1		Y021067	2009754 (R)	1
8	X004658	1904968	1	31	M6x50 DIN912	1007970	1
9	X004666	1905731	1	32	Ø4x24 DIN6325	G0409	1
10	X004690	1905735	1	33	M6x16 DIN912	1001492	2
11A	X004713	1905734	1	34	M6x25 DIN912	1001494	2
11B	Y021864	F007208	0.5	36	X001119	1001554	1
12	X004733	1905733	1	37	M6 DIN125	1001564	1
13	X005880	1915832	2	38	M5 DIN985	1001679	1
14	X004739	1905739	1	39	M6 DIN985	1001680	2
15	X004744	1737100	1	40	X001016	1001682	1
16	X004784	1905950	1	42	M6x40 DIN912	1003909	1
17	X004787	1905947	1	44	M6x12 DIN916	1005949	1
18	X004795	1905970	2	45	M6 DIN986	1008492	5
19	X005025	1772000	1	46	---	1906679	1
20	X005028	G103900	1	47	M6x65 DIN931	1991860	1
21	X005046	G103800	1	48	M8x20 ISO7380	1992349	1
22	X005047	1908420	1	50	M5 DIN986	1992804	1
23	X005055	1917169	1	51	M6x16 DIN7991	1994752	2
24	Y017321	F006420 (BZ7)	1	52A	M5x10 DIN7991	1999977	2
	Y016499	F006269 (BZ8)	1	52B	Ø3.9x16 DIN7982	1005767	2
25	Y016501	1733500	1	53	M6X35 DIN912	1001496	1
26	Y018568	1771754	1	54	M5 DIN125	1001550	2
27	Y020947	2008854 (L)	1				
	Y020952	2008954 (R)	1				

Option A: Knee protector PU

Option B: Knee protector V40

Option B complete

E001015 = 1912112

INOVYS 2 BZ7 / BZ8 LEGREST 2020

Sheet 4/4 - BOM

Plan No.

E000978/O

Scale: 1:3

Drafted

Verified

Confirmed

Date

10/12/2014

14/10/2020

14/10/2020

Initials

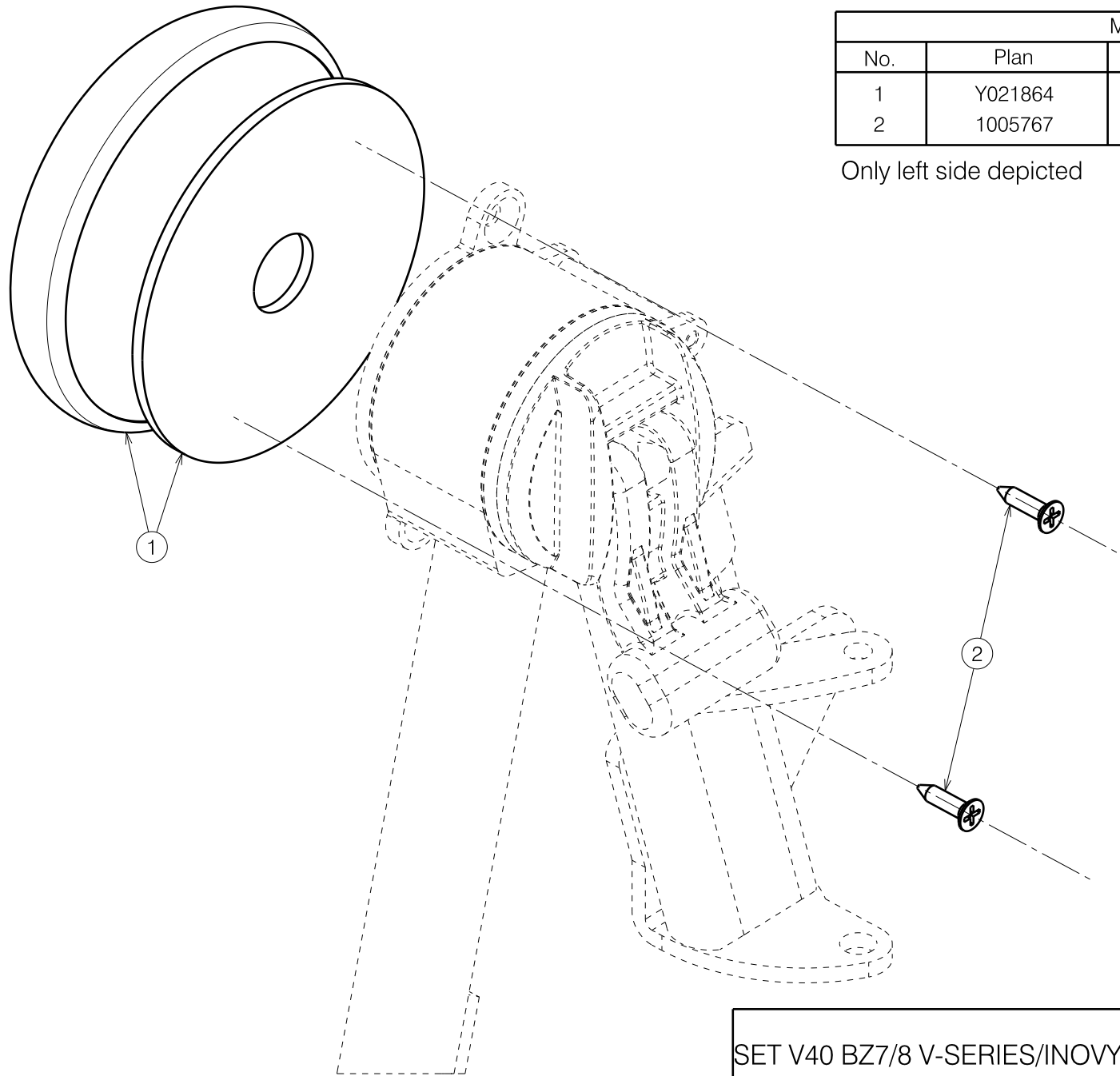
SD

SD

PJ



E000978 / O



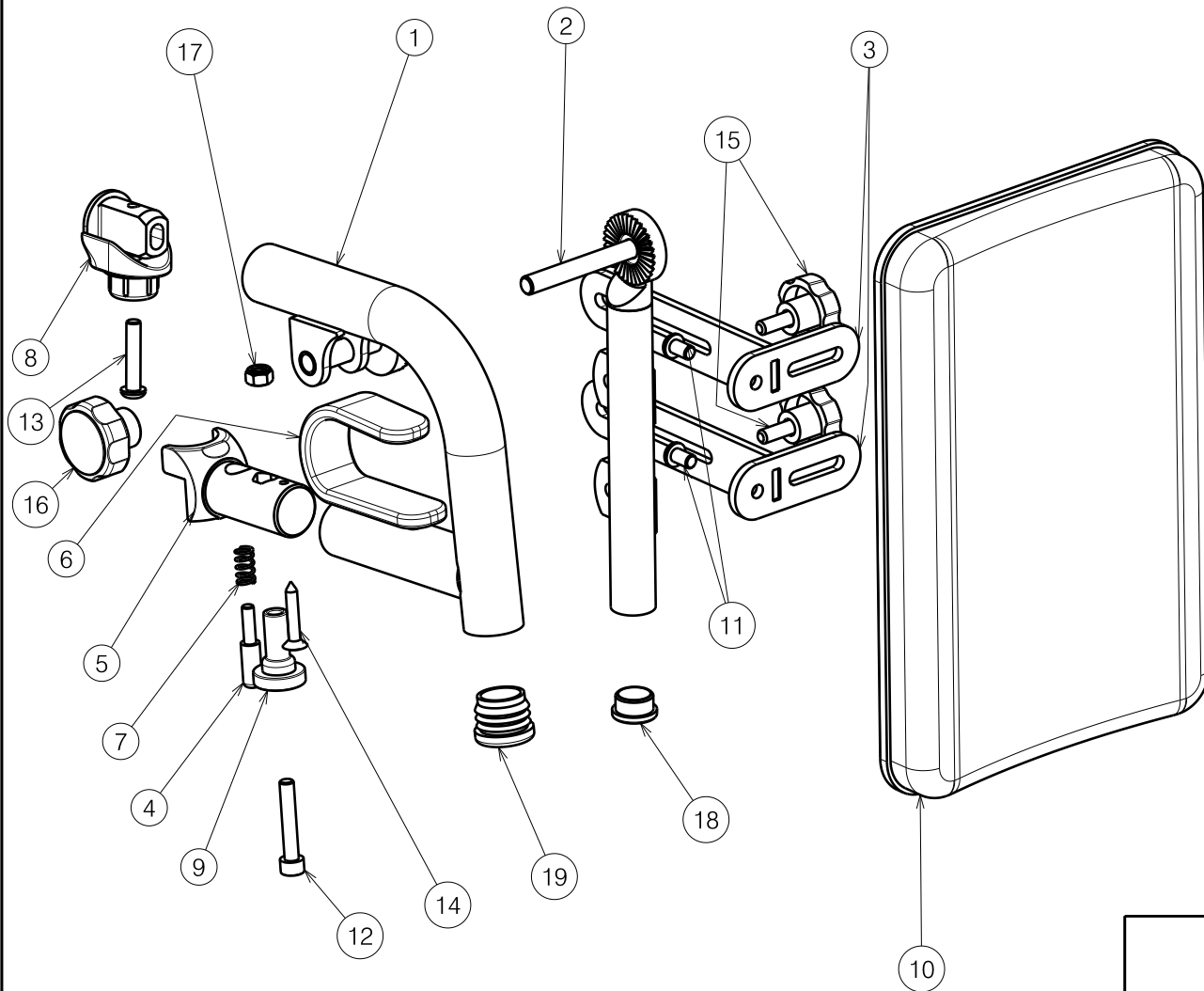
Material			
No.	Plan	Article	Quantity
1	Y021864	F007208	1
2	1005767	1005767	4

Only left side depicted

1912112

E001015 / A

SET V40 BZ7/8 V-SERIES/INOVYS2/TIMIX/FOREST3				Plan No. E001015 / A
Scale: 3:4	Drafted	Verified	Confirmed	
Date	22/01/2016	22/01/2016	22/01/2016	
Initials	TT	PA	PJ	

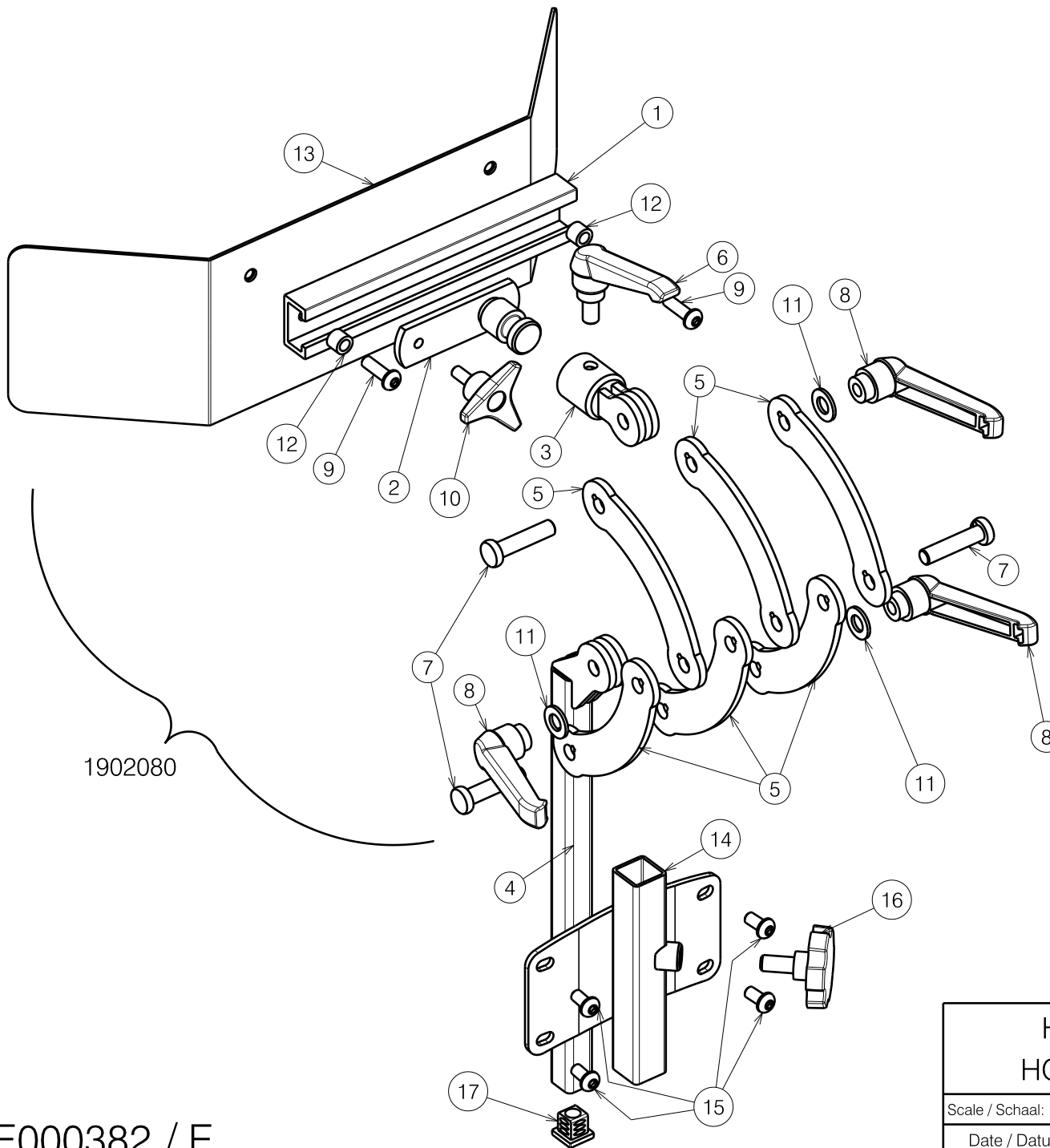


Material			
No.	Plan	Article	Quantity
1	YP08090	2607154 (L)	1
	YP08091	2607254 (R)	1
2	YP08093	2607354 (L)	1
	YP08094	2607454 (R)	1
3	YP08095	2607554	4
4	XC00128	3990490	2
5	XC00129	3990491	2
6	XC00130	3990492	2
7	X002169	1992791	2
8	X004414	1904130	2
9	X004660	1905195	2
10	Plate small	1002163	2
	Plate large	1002158	2
11	M6x10	1900641	4
12	M6x35	1001496	2
13	M6x30	1009588	2
14	Screw 4,8x25	1001536	2
15	Star Knob M6x15	1001577	4
16	Plastic Head Ø35	1998550	2
17	Nut M6	1001680	2
18	Tube cap Ø19	1001602	2
19	Tube cap Ø25,4	1001608	2

Right side only depicted, quantities are for 1 pair

EP00499 / A

BK7				Plan No.
				EP00499 / A
Scale: 1:3	Drafted	Verified	Confirmed	
Date	27/02/2020	27/02/2020	27/02/2020	
Initials	PM	DB	TK	



Material / Materiaal			
No. / Nr.	Plan	Article / Artikel	Quantity / Aantal
1	Y006826	1599954	1
2	Y006187	1599800	1
3	Y011988	1669654	1
4	Y011987	1669854	1
5	Y011148	1669754	6
6	---	1006661	1
7	---	1001526	3
8	---	1900712	3
9	---	1006999	2
10	---	1009932	1
11	X001119	1001554	3
12	---	1004550	2
13	Y005698	16028	1
14	Y017183	1748154	1
15	---	1007000	4
16	---	2990024	1
17	---	1005899	1

1902080

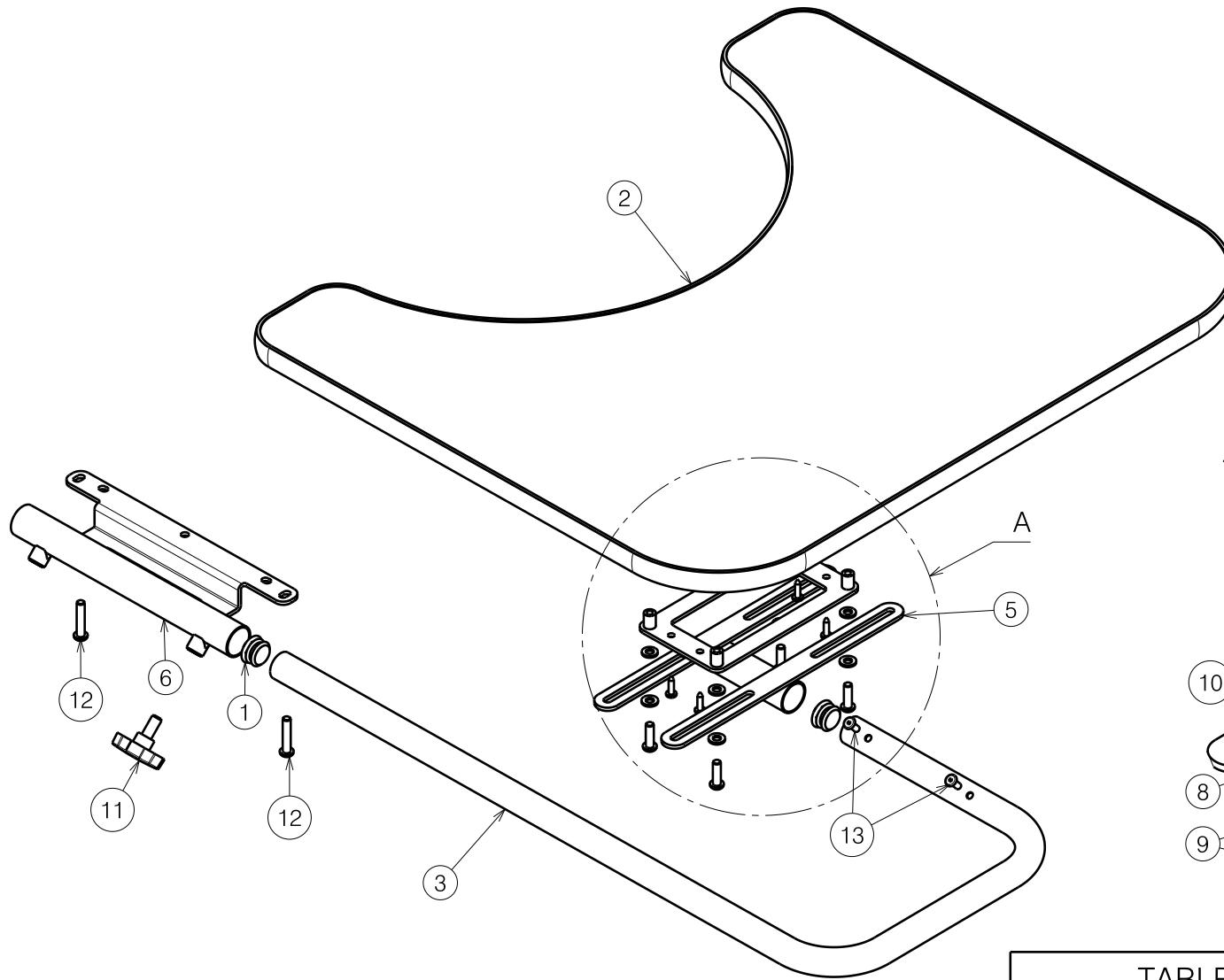
1901523

E000382 / E

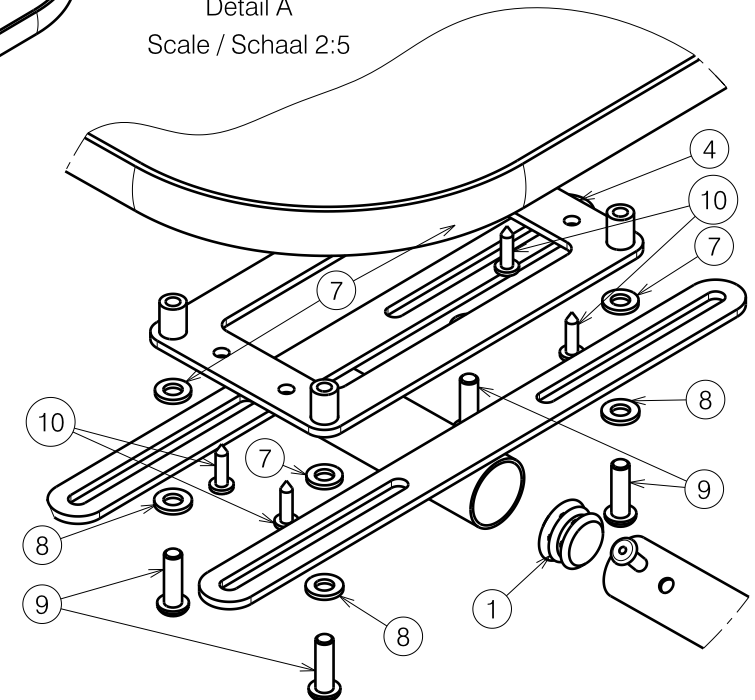
HEAD REST L58 C TYPE INOVYS HOOFDSTEUN L58 C TYPE INOVYS			Plan No. / Plannr. E000382 / E
Scale / Schaal: 2:5	Drafted / Getekend	Verified / Nagezien	Confirmed / Bevestigd
Date / Datum	04/07/2007	28/03/2012	28/03/2012
Init. / Init.	SD	SV	PJ



Material / Materiaal			
No. / Nr.	Plan	Article / Artikel	Quantity / Aantal
1	X001101	1001605	2
2	X003883	1901986 (40)	1
	X003884	1901987 (45-50)	1
3	Y002759	1217101	1
4	Y011781	1678400	1
5	Y011782	1678501	1
6	Y019321	1785254	1
7	---	1000973	4
8	---	1001564	4
9	---	1006999	4
10	---	1003021	4
11	---	2990024	1
12	---	1009588	2
13	---	1001585	2

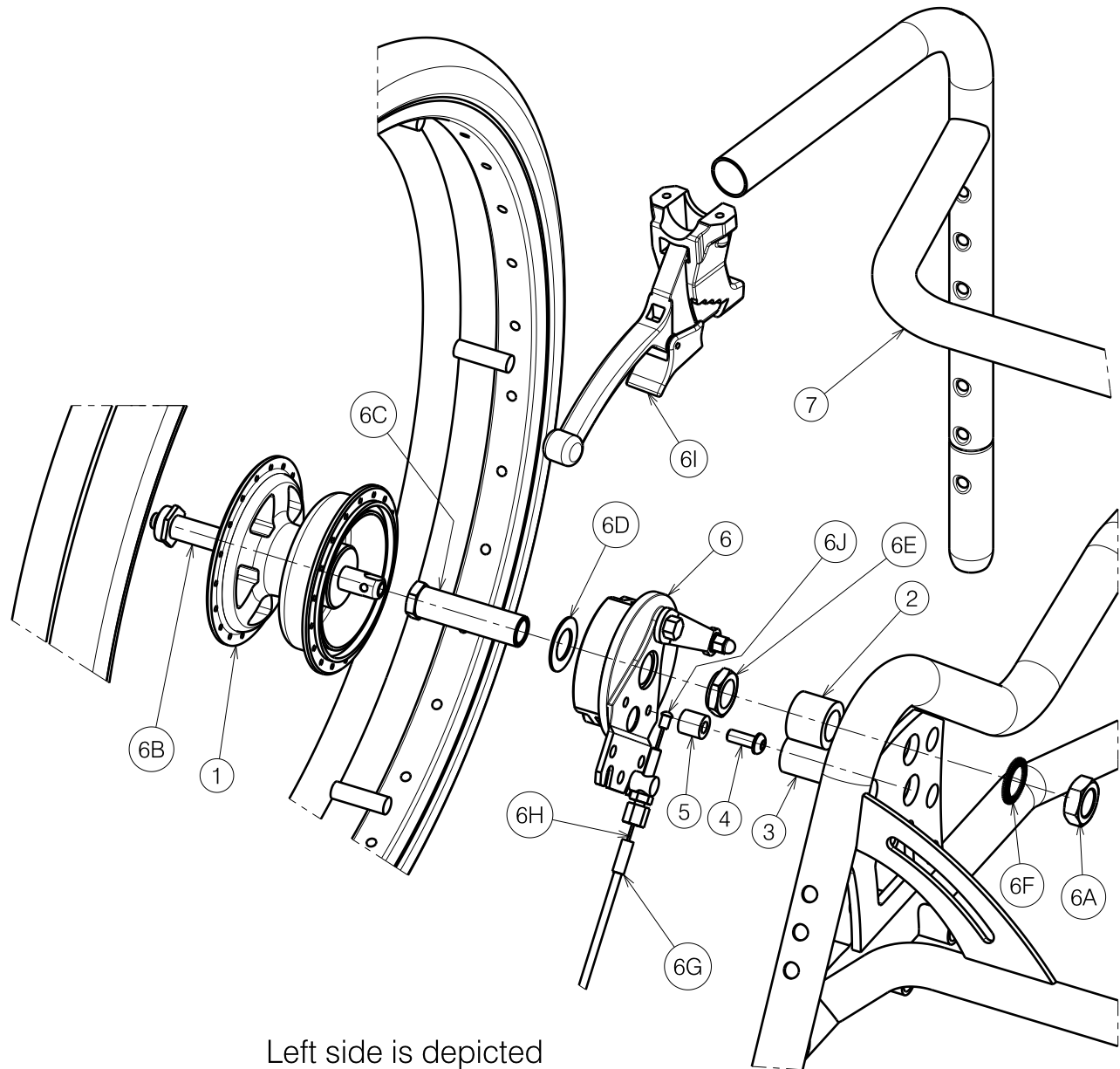


Detail A  
Scale / Schaal 2:5



E000406 / D

TABLE B12-B13 TYPE INOVYS TAFEL B12-B13 TYPE INOVYS				Plan No. / Plannr.
				E000406 / D
Scale / Schaal: 1:5	Drafted / Getekend	Verified / Nagezien	Confirmed / Bevestigd	
Date / Datum	06/11/2007	15/04/2013	15/04/2013	
Init. / Init.	SD	TT	PJ	



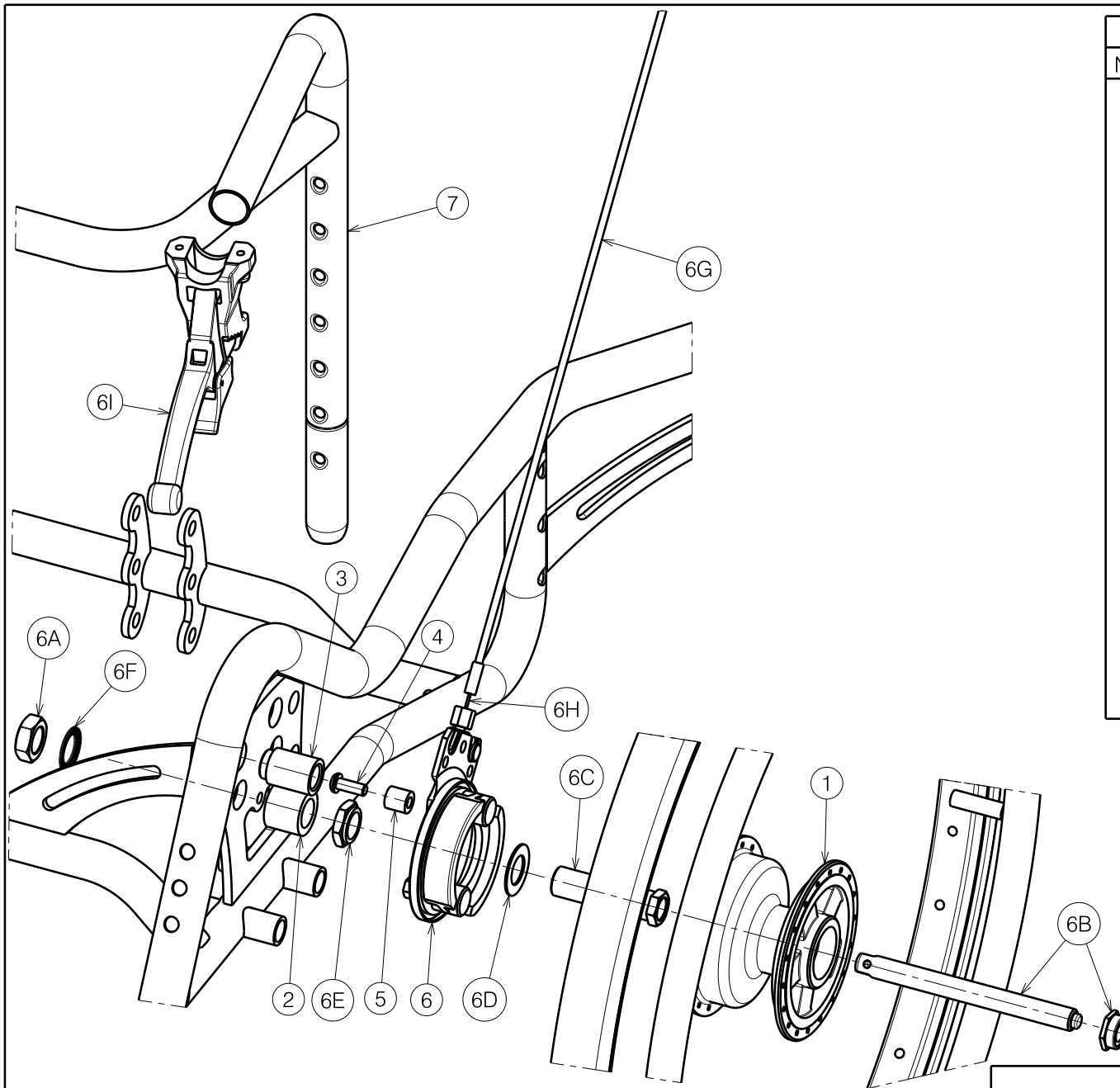
Left side is depicted

Material / Materiaal			
No. / Nr.	Plan	Article / Artikel	Quantity / Aantal
1	24"	1914614	2
2	X002678	1994448	2
3	X003379	1659100	2
4	M6x16 ISO7380	1008459	2
5	X002703	1563700	2
6	---	1910148 (L)	1
		1910149 (R)	1
6A	X002437	1992699	2
6B	---	1906205	2
6C	X005815	1914817	2
6D	X005814	1914816	2
6E	X005816	1914818	2
6F	M16 type S DIN 17222	1911653	2
6G	---	1993218	2x1.05 m
6H	---	1004094	2
6I	∅22	1994012	2
6J	---	1004109	2
7	Y017808	1756462 (40)	1
	Y017654	1756562 (45)	1
	Y017809	1756662 (50)	1

E000420 / F

INOVYS DETACHABLE DRUM BRAKE WHEEL			Plan No. / Plannr.
Page 1/2 - 24 inch wheel			E000420 / F
Scale / Schaal: 1:2	Drafted / Getekend	Verified / Nagezien	Confirmed / Bevestigd
Date / Datum	17/01/2008	26/02/2018	26/02/2018
Init. / Init.	SD	SD	PJ





Right side is depicted

Material / Materiaal			
No. / Nr.	Plan	Article / Artikel	Quantity / Aantal
1	22"	1914615	2
2	X002678	1994448	2
3	X003379	1659100	2
4	M6x16 ISO7380	1008459	2
5	X002703	1563700	2
6	---	1910148 (L)	1
		1910149 (R)	1
6A	X002437	1992699	2
6B	---	1906205	2
6C	X005815	1914817	2
6D	X005814	1914816	2
6E	X005816	1914818	2
6F	M16 type S DIN 17222	1911653	2
6G	---	1993218	2x1.05 m
6H	---	1004094	2
6I	Ø22	1994012	2
6J*	---	1004109	2
7	Y017808	1756462 (40)	1
	Y017654	1756562 (45)	1
	Y017809	1756662 (50)	1

\* Not depicted

E000420 / F

INOVYS DETACHABLE DRUM BRAKE WHEEL

Page 2/2 - 22 inch wheel

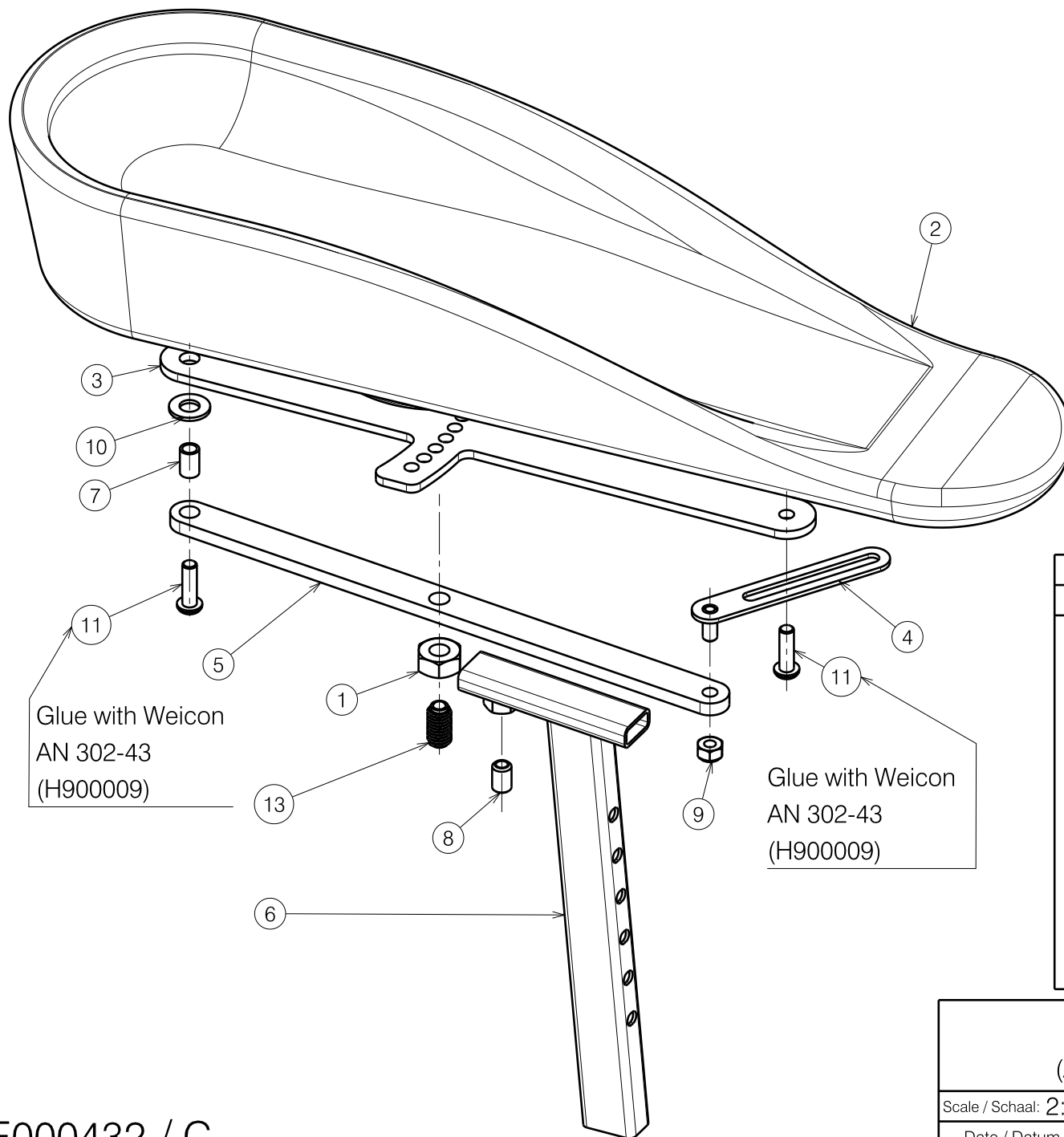
Plan No. / Plannr.

E000420 / F

Scale / Schaal: 2:5	Drafted / Getekend	Verified / Nagezien	Confirmed / Bevestigd
Date / Datum	17/01/2008	26/02/2018	26/02/2018
Init. / Init.	SD	SD	PJ







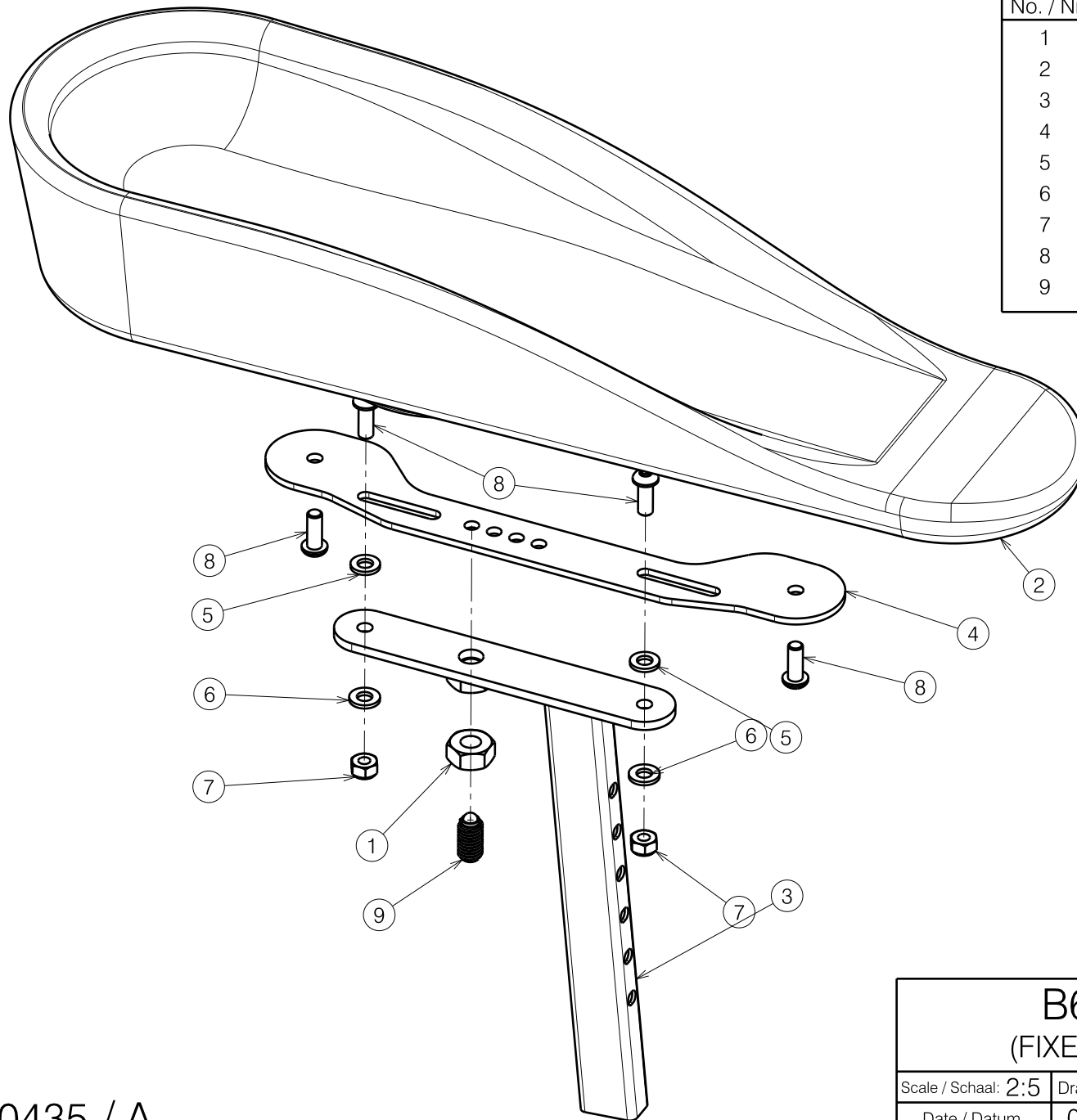
Material / Materiaal			
No. / Nr.	Plan	Article / Artikel	Quantity / Aantal
1	---	1001672	1
2	X003872	1901134	1
3	Y012555	1676204	1
4	Y012556	1676100	1
5	Y012557	1681700	1
6	Y012571	1681601	1
7	---	14187	1
8	---	1004885	1
9	---	1001680	1
10	---	1003199	1
11	---	1006999	2
13	---	1991432	1

E000432 / C

<h2>B66 TYPE INOVYS</h2> <p>(Angle adjustable / Hoek verstelbaar)</p>			Plan No. / Plannr.
			E000432 / C
Scale / Schaal: 2:5	Drafted / Getekend	Verified / Nagezien	Confirmed / Bevestigd
Date / Datum	05/02/2008	28/01/2020	28/01/2020
Init. / Init.	SD	TT	PJ



Material / Materiaal			
No. / Nr.	Plan	Article / Artikel	Quantity / Aantal
1	---	1001672	1
2	X003872	1901134	1
3	Y008789	1659301	1
4	Y011751	1662604	1
5	---	1000973	2
6	---	1001564	2
7	---	1001680	2
8	---	1008459	4
9	---	1991432	1

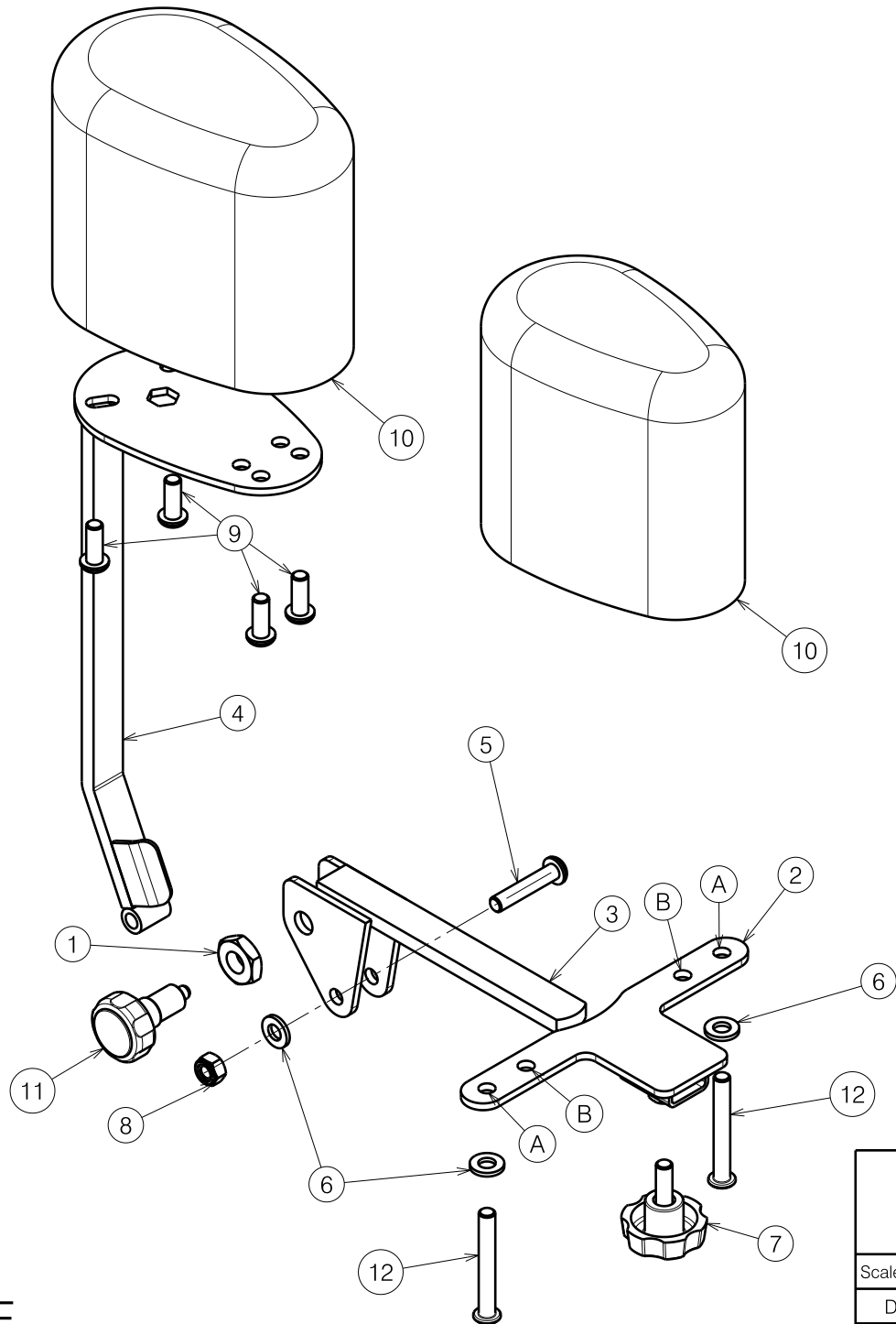


1901930-1901932

E000435 / A

<b>B66 TYPE INOVYS</b>			Plan No. / Plannr. E000435 / A
(FIXED ANGLE / VASTE HOEK)			
Scale / Schaal: 2:5	Drafted / Getekend	Verified / Nagezien	Confirmed / Bevestigd
Date / Datum	07/02/2008	07/02/2008	07/02/2008
Init. / Init.	SD	SD	PJ





Material / Materiaal			
No. / Nr.	Plan	Article / Artikel	Quantity / Aantal
1	X001398	1009689	1
2	Y013427	1676300	1
3	Y013685	1685600	1
4	Y013683	1685500	1
5	M6x30 ISO7380	1009588	1
6	M6 DIN125A	1001564	3
7	M6x15	1001577	1
8	M6 DIN985	1001680	1
9	M6x16 ISO7380	1008459	4
10	XP00816 (L)	2991000	1
	XP00817 (M)	2991001	1
11	Ø25 M10x1	1999935	1
12	M6x45 ISO7380	1991017	2

A: Mounting holes seat widths 40-45-50  
 B: Mounting holes seat width 35

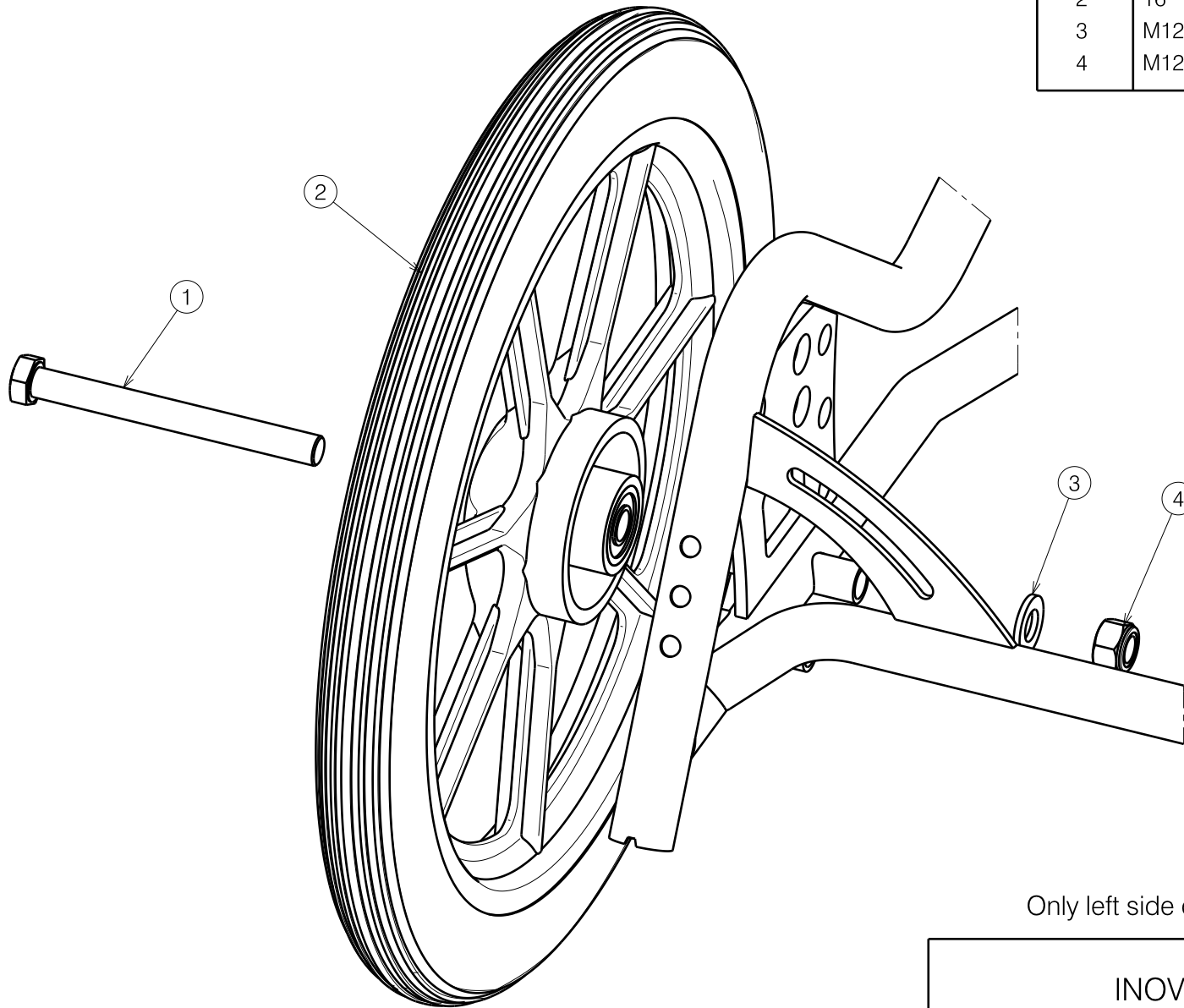
1902124

E000443/E

DISMOUNTABLE B22 TYPE INOVYS			Plan No. / Plannr.
B22 WEGKLAPBAAR TYPE INOVYS			E000443/E
Scale / Schaal: 2:5	Drafted / Getekend	Verified / Nagezien	Confirmed / Bevestigd
Date / Datum	03/03/2008	01/10/2019	01/10/2019
Init. / Init.	SD	SD	PJ




Material / Materiaal			
No. / Nr.	Plan	Article / Artikel	Quantity / Aantal
1	M12x120 DIN931	1003141	2
2	16"	1914954	2
3	M12 DIN125 B	1001561	2
4	M12 DIN985	1001684	2

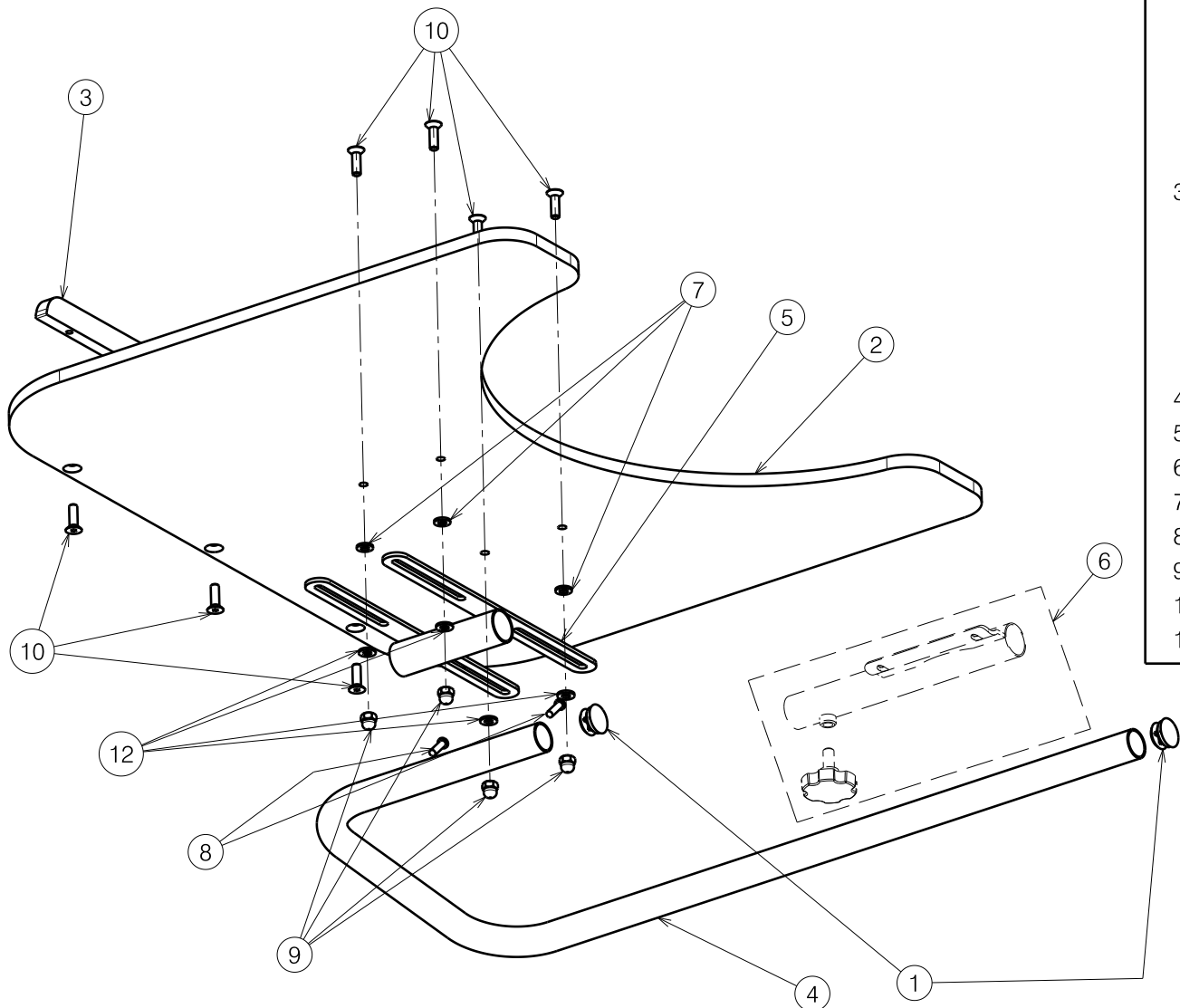


Only left side depicted / Linkerzijde afgebeeld

1902123

E000446 / F

INOVYS 2 T30 FIXED				Plan No. / Plannr.
				E000446 / F
Scale / Schaal: 2:5	Drafted / Getekend	Verified / Nagezien	Confirmed / Bevestigd	
Date / Datum	17/03/2008	04/05/2020	04/05/2020	
Init. / Init.	SD	SD	PJ	

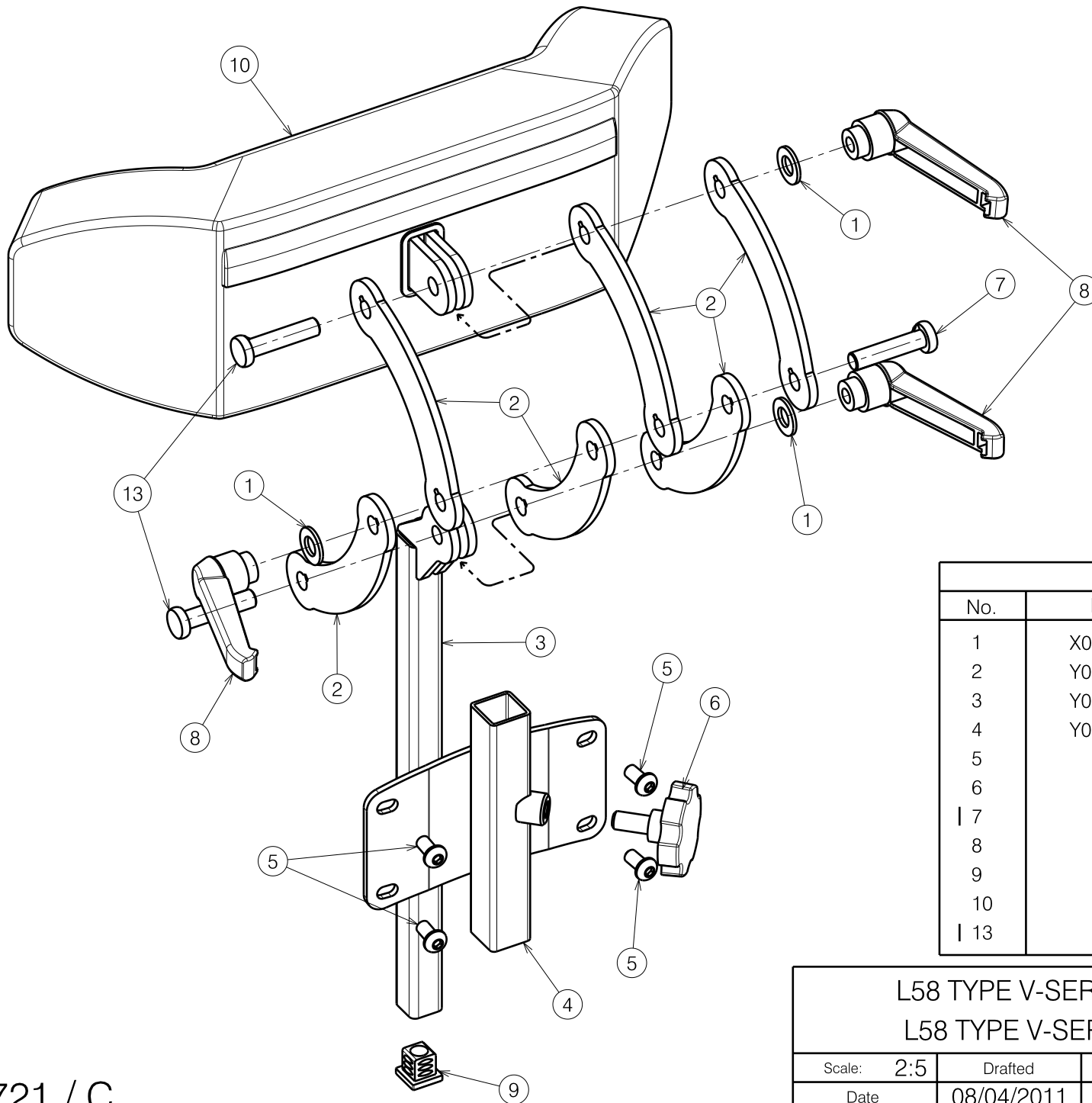


Material				
No.	Plan	Article	Quantity	Model/Seat width
1	X001101	1001605	2	
2	X004746	1905771	1	39 / 42
	X004753	1905796	1	44/46/48/50 Inovys II 40/45
	X004754	1905797	1	53 / 56 Inovys II 50
	X004790	1905942	1	60
3	X004791	1905943	1	39 / 42
	X004792	1905944	1	44/46/48/50 Inovys II 40/45
	X004793	1905945	1	53 / 56 Inovys II 50
	X004794	1905946	1	60
4	Y002759	1217101	1	
5	Y011782	1678501	1	
6*	---	P000025	1	
7	M6 DIN125A	1000973	4	
8	---	1001589	4	
9	M6x12	1008492	4	
10	M6X20 DIN7991	1903081	7	
12	M6 DIN125A	1001564	4	

\* For attachment B13 refer to P000025

E000633 / L

B15 PLEXI TABLE MANUAL WHEELCHAIRS				Plan No. / Plannr.
				E000633 / L
Scale / Schaal: 1:5	Drafted / Getekend	Verified / Nagezien	Confirmed / Bevestigd	
Date / Datum	26/07/2010	31/03/2020	31/03/2020	
Init. / Init.	DD	SD	PJ	



Material			
No.	Plan	Article	Quantity
1	X001119	1001554	3
2	Y011148	1669754	6
3	Y011987	1669854	1
4	Y017183	1748154	1
5	---	1007000	4
6	---	2990024	1
7	---	1001526	1
8	---	1900712	3
9	---	1005899	1
10	---	1907019	1
13	---	1001524	2

L58 TYPE V-SERIES / INOVYS 2

Plan No.

L58 TYPE V-SERIE / INOVYS 2

E000721 / C

Scale: 2:5

Drafted

Verified

Confirmed

Date

08/04/2011

10/09/2013

10/09/2013

Initials

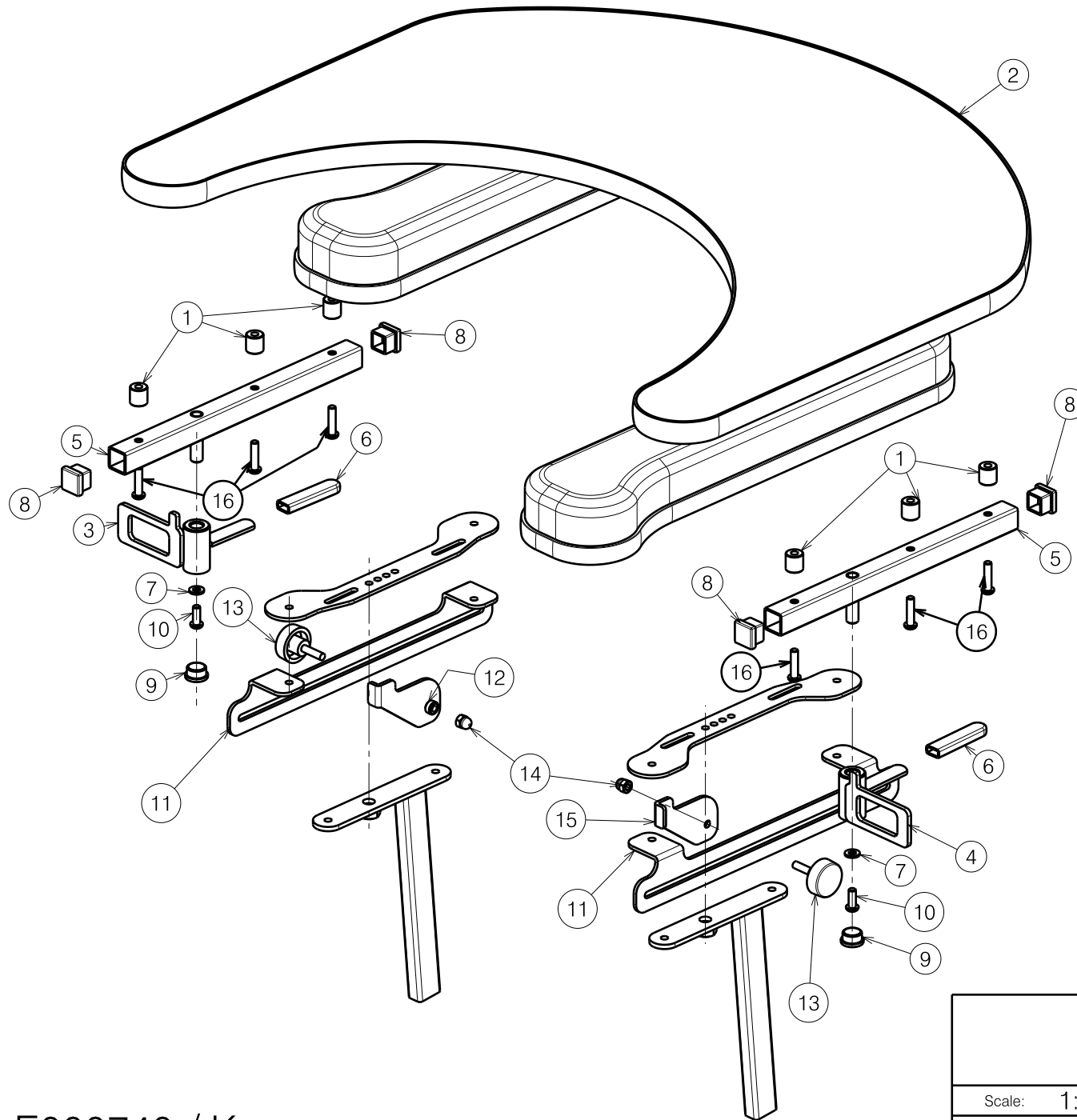
SD

TT

PJ



E000721 / C

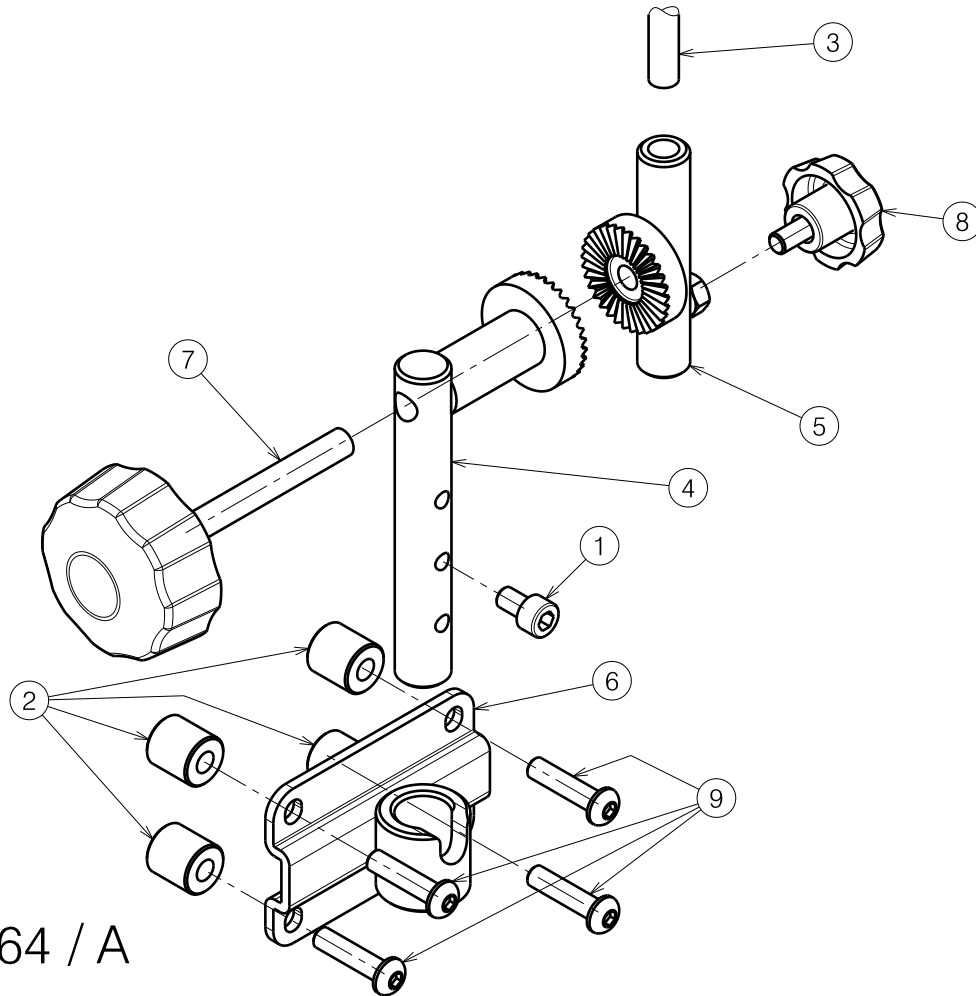
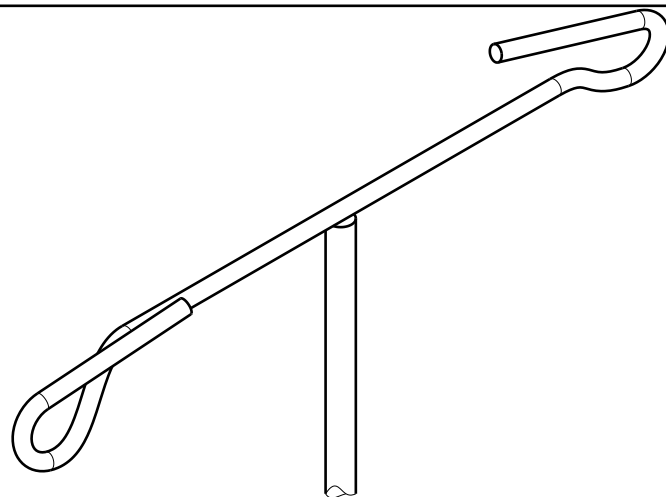


Material			
No.	Plan	Article	Quantity
1	X002616	1994159	6
2	XP02223	2993947 (35)	1
	X004974	1907529 (40)	1
	XP00778	2991199 (45)	1
	X004975	1907530 (50)	1
3	YP02931	2819003	1
4	YP02929	2818903	1
5	YP02961	2819182	2
6	---	1001144	2
7	M6 DIN125	1001564	2
8	20x20	1001612	4
9	Ø19	1001602	2
10	M6x16 ISO7380	1008459	2
11	Y018738	1772854	2
12	Y018742	1772954 (L)	1
13	M6x22	1004392	2
14	M6	1008492	2
15	Y018796	1774354 (R)	1
16	M6x25 ISO7380	1006998	6

E000740 / K


B12 TABLE INOVYS 2 B12 TAFEL INOVYS 2			Plan No.
			E000740 / K
Scale: 1:5	Drafted	Verified	Confirmed
Date	07/09/2011	27/05/2019	27/05/2019
Initials	TT	TT	PJ



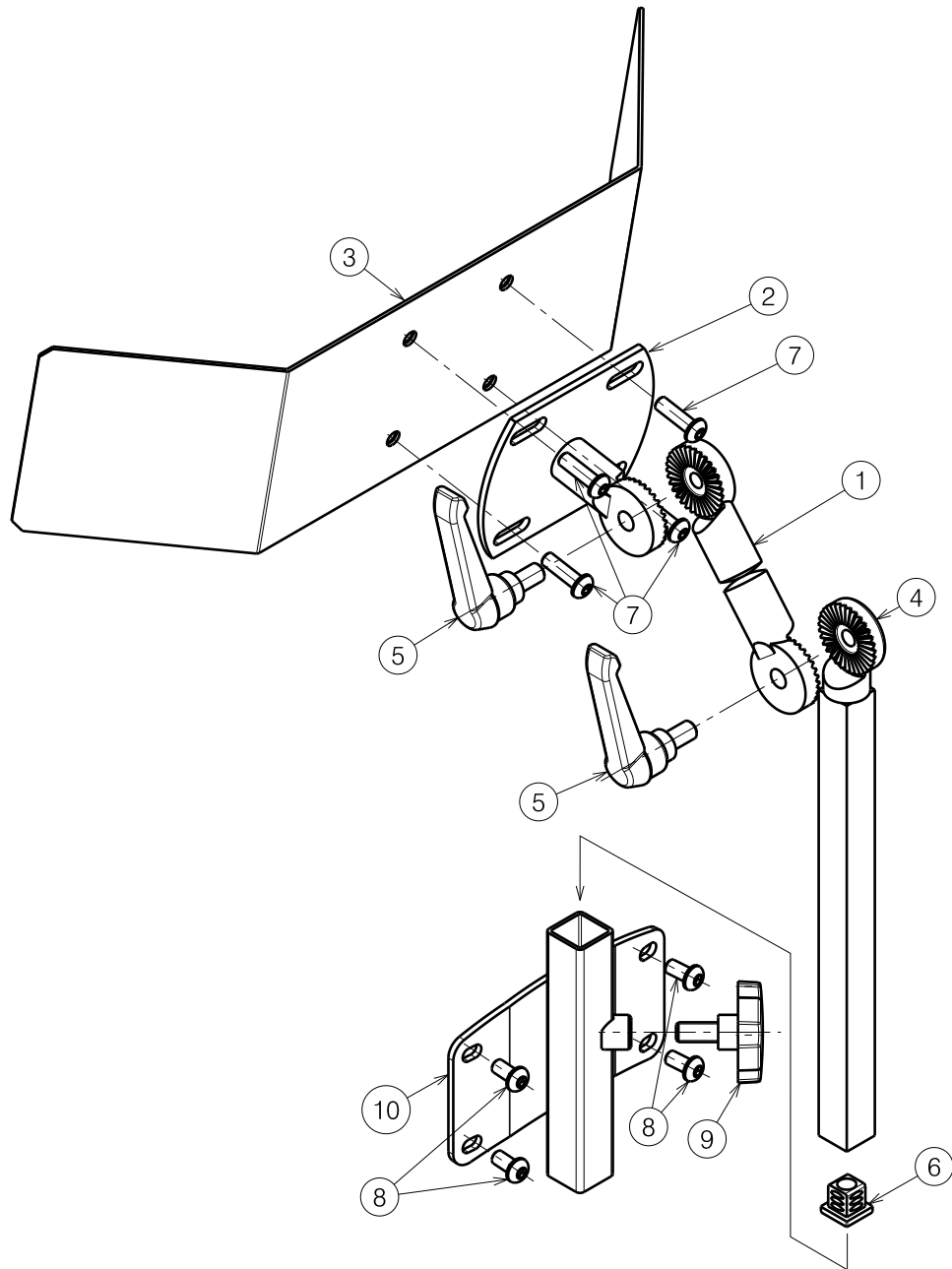


Material			
No.	Plan	Article	Quantity
1	X002112	1001491	1
2	X002616	1994159	4
3	Y005659	1425701	1
4	Y014148	1696500	1
5	Y014149	1696600	1
6	Y017298	1746354	1
7	M8x60	1001576	1
8	M6x10	1003658	1
9	M6x25 ISO7380	1006998	4

E000964 / A

<p style="text-align: center;">INOVYS 2 B52 SERUM CARRIER</p>				Plan No.
				E000964 / A
Scale: 1:2	Drafted	Verified	Confirmed	
Date	06/08/2014	06/08/2014	06/08/2014	
Initials	SD	SD	PJ	




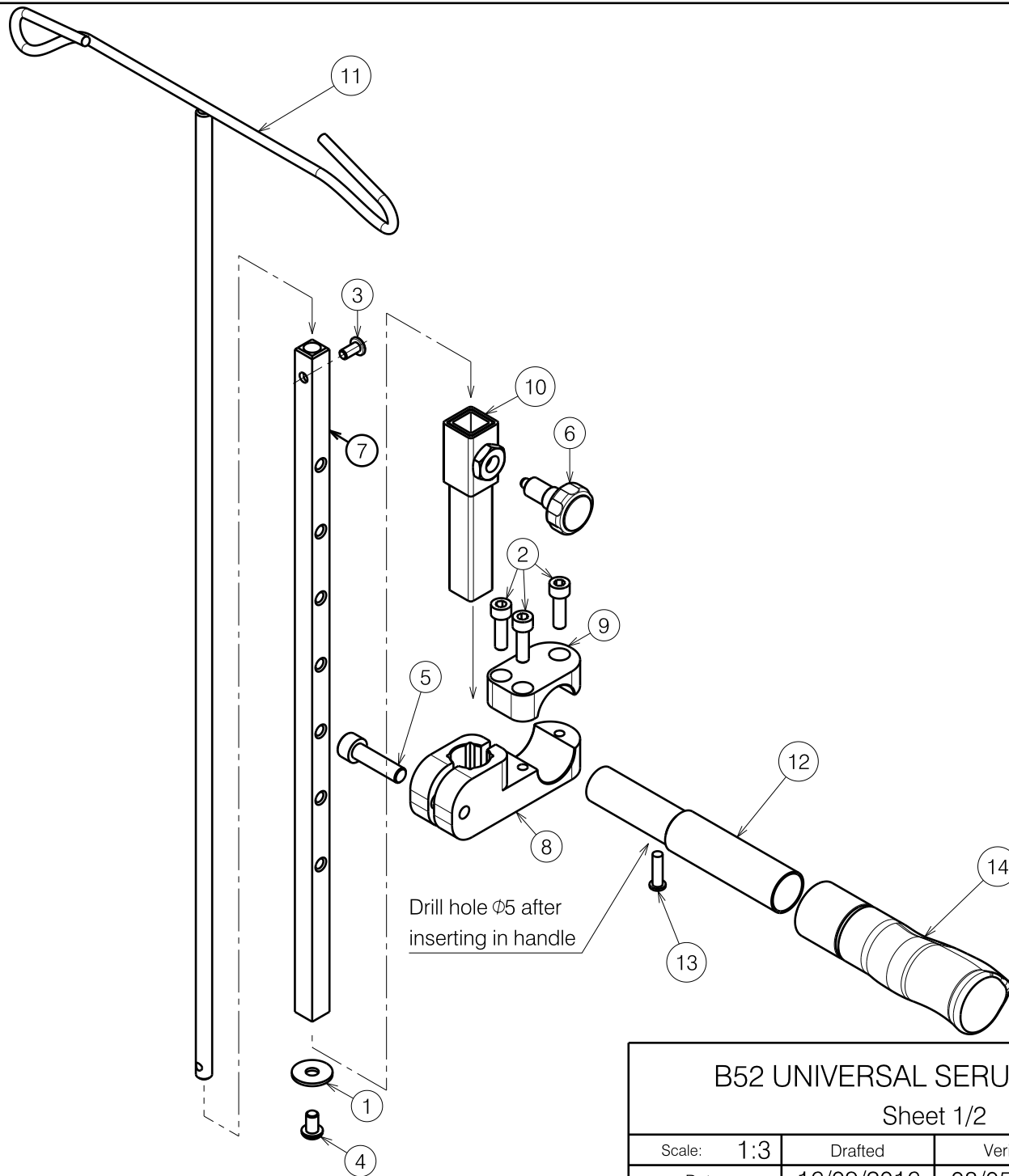


Material			
No.	Plan	Article	Quantity
1	Y003413	1463254	1
2	Y003414	1463354	1
3	Y003416	B000272	1
4	Y007779	1607904	1
5	VGf M8x15	1006661	2
6	15x15	1005899	1
7	M6x20	1006999	4
8	M6x12	1007000	4
9	VGf40 M8x16	2990024	1
10	Y017183	1748154	1


1907195

E000987 / E

L55 TYPE INOVYS II / V-SERIES				Plan No.
				E000987 / E
Scale: 1:3	Drafted	Verified	Confirmed	
Date	18/06/2015	08/12/2016	08/12/2016	
Initials	TT	TT	PJ	




E001055 / H

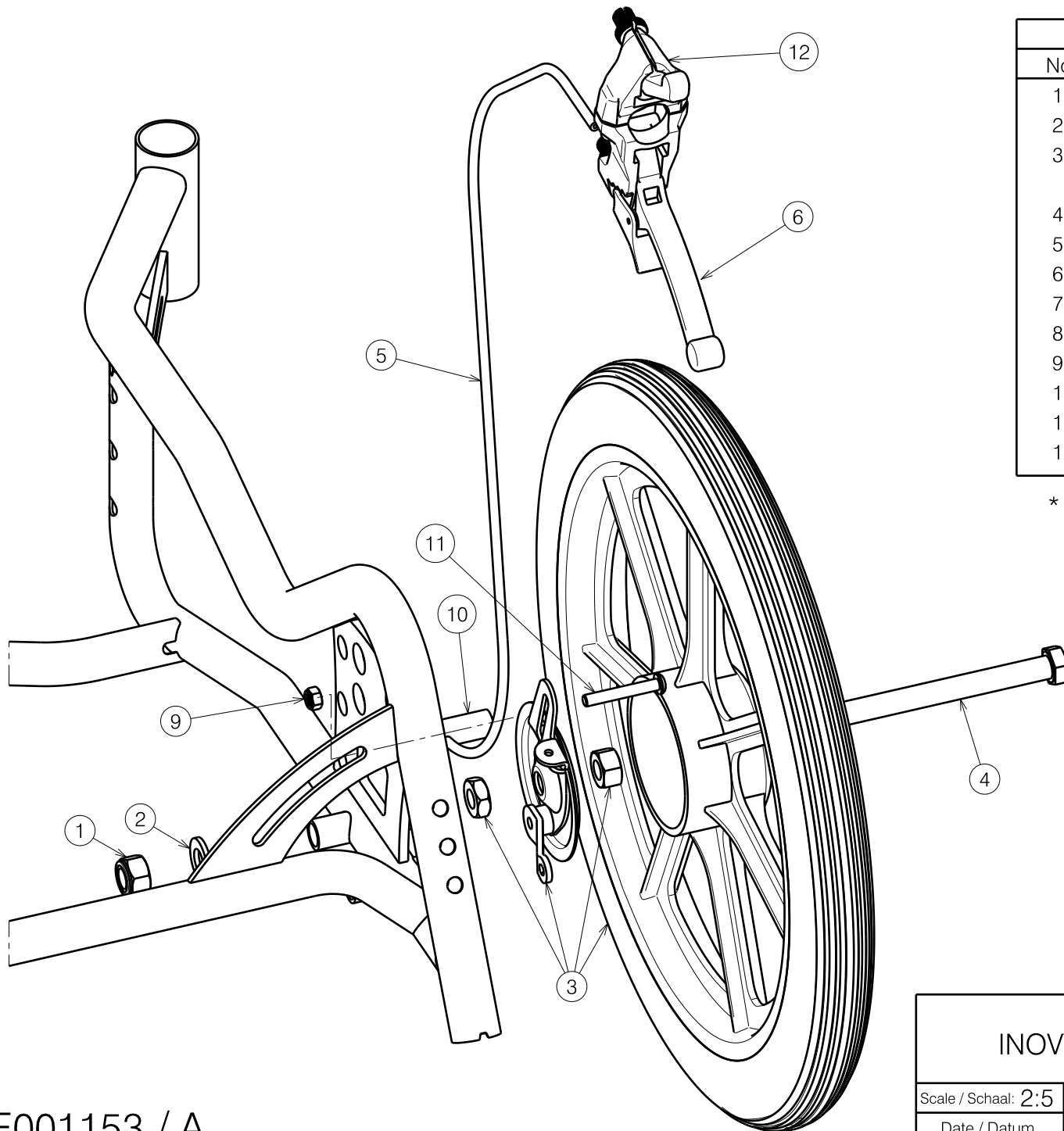
B52 UNIVERSAL SERUM CARRIER				Plan No.
Sheet 1/2				E001055 / H
Scale: 1:3	Drafted	Verified	Confirmed	
Date	16/09/2016	08/05/2019	08/05/2019	
Initials	TT	TT	PJ	

Wheelchair overview			
Model	Clamb type	Hand grip extension	Hand grip
D100	8A - 9A	12A	14C
D200	8A - 9A	12A	14C
D400	8B - 9B	12B	14B
D100 / 30°	8A - 9A	On B90	---
D200 / 30°	8A - 9A	On B90	---
D400 / 30°	8A - 9A	On B90	---
V200	8A - 9A	12C	14A
V300	8A - 9A	12C	14A
V500	8A - 9A	12C	14D
V100D	8A - 9A	12A	14A
V300 / 30°	8A - 9A	On B90	---
V200D	8B - 9B	12B	14B
V300D	8B - 9B	12B	14B
V300DL	8B - 9B	12B	14B
V100	8B - 9B	12B	14B
Eclips+	8A - 9A	12C	14A
Eclips X4	8A - 9A	12C	14A
Eclips X4 Act	8A - 9A	12C	14A
XXL	8A - 9A	12C	14A
Eclips+ 30°	8A - 9A	On B90	---
Eclips X4 30°	8A - 9A	On B90	---
Eclips X4 90°	8A - 9A	On B90	---
Eclips+ D	8A - 9A	12A	14A
708D	8A - 9A	12A	14A
Jazz+	8B - 9B	12B	14A
Jazz S50	8B - 9B	12B	14E
Inovys	8A - 9A	On lateral tube	---
EZ-1	8A - 9A	On lateral tube	---
Navix	---	Not available	---
Forest 3 L44	---	Not available	---
Timix L44	---	Not available	---
Forest 2	8A - 9A	On lateral tube	---
Tracer	8A - 9A	On lateral tube	---
Forest 3 L34 TUB	8A - 9A	On back frame	---
Forest kids	8A - 9A	On back frame	---
Timix L34 TUB	8A - 9A	On back frame	---
Springer	8A - 9A	On back frame	---
Forest 3 L34	8A - 9A	12A	14A
Timix L34	8A - 9A	12A	14A
Forest kids D	8A - 9A	12A	14A
Express VB	8A - 9A	12A	14A
Sqoud	8A - 9A	12A	14A
Rapido	8A - 9A	12A	14A

Material			
No.	Plan	Article	Quantity
1	M6 (Φ20xΦ6.5x1.6)	1997328	1
2	M6x20 DIN912/8.8	1001493	3
3	M5x10	1007063	1
4	M6x10	1900641	1
5	M8x30 DIN912	1992581	1
6	Φ25 M10x1	1999935	1
7	X005631	2036400	1
8A	XP01417	2706799 (Φ22, Φ22,2)	1
8B	X005632	2037299 (Φ25,4)	1
9A	XP01418	2706899 (Φ22, Φ22,2)	1
9B	X005633	2037399 (Φ25,4)	1
10	Y022178	2036554	1
11	Y022180	2036601	1
12A	Y018487	17711	1
12B	Y017202	17421	1
12C	Y018538	17710	1
13	Φ5x18	1001589	1
14A	---	1992600 (Φ22)	1
14B	---	1906244 (Φ25.4)	1
14C	---	3990041 (Φ22.2)	1
14D	Y022063	F007241 (Φ22)	1
14E	---	1908236 (Φ25.4)	1

E001055 / H

<b>B52 UNIVERSAL SERUM CARRIER</b> Sheet 2/2				Plan No.
				E001055 / H
Scale: 1:3	Drafted	Verified	Confirmed	
Date	16/09/2016	08/05/2019	08/05/2019	
Initials	TT	TT	PJ	



Material			
No.	Plan	Article Number	Quantity
1	M12 DIN985	1001684	2
2	M12 DIN125 B	1001561	2
3	16"	1914955 (L)	1
	16"	1914956 (R)	1
4	M12x120 DIN931	1003141	2
5	---	2993049	2x 1.05m
6	Ø22	1994012	2
7*	---	1004109	2
8*	---	1004094	2
9	M6 DIN985	1001680	2
10	X003407	1997399	2
11	M6x40	1006111	2
12	---	1996806	2

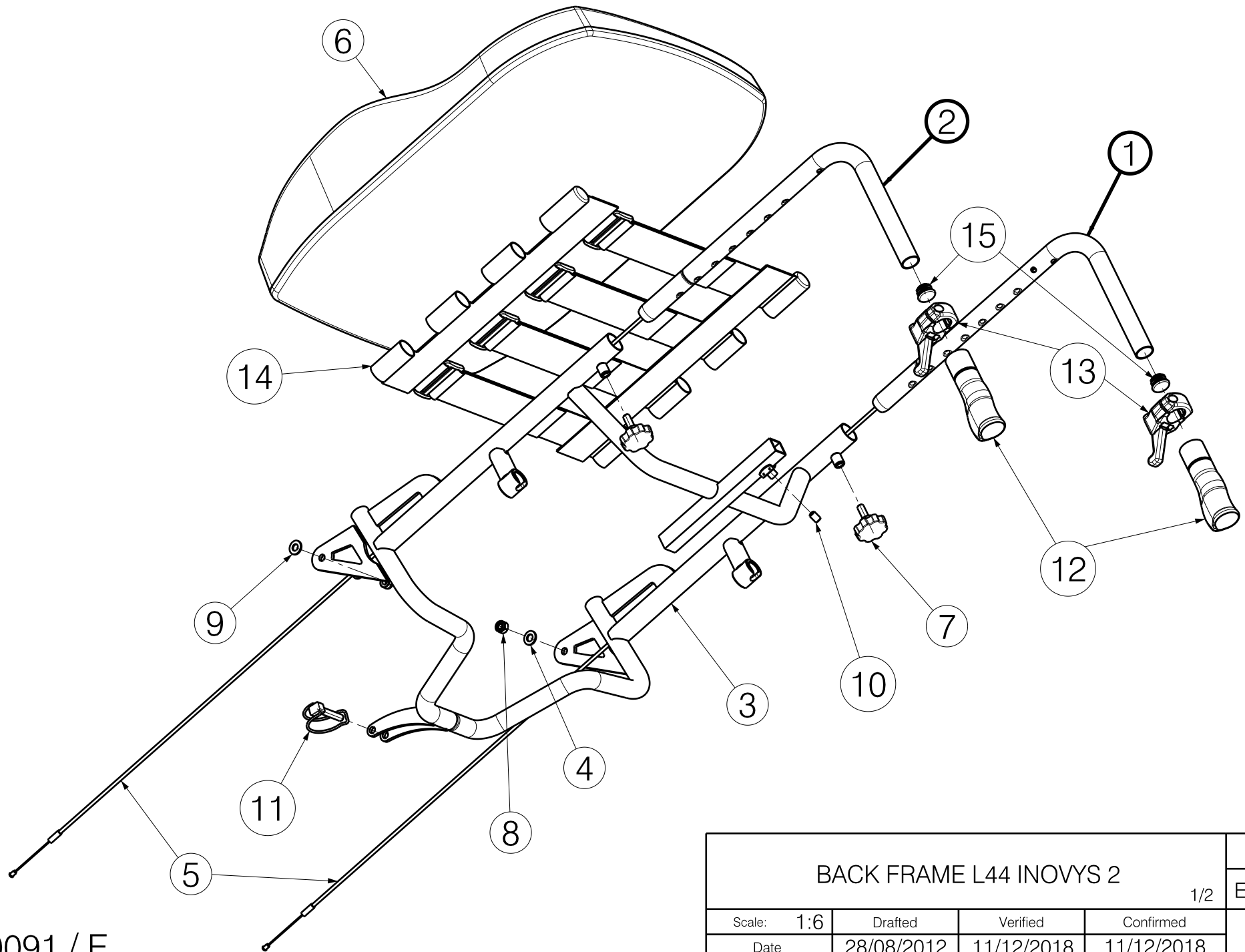
\* Not depicted / Niet afgebeeld

Only right side depicted


E001153 / A

1902200

INOVYS 2 T30 FIXED DRUM BRAKE				Plan No. / Plannr.
				E001153 / A
Scale / Schaal: 2:5	Drafted / Getekend	Verified / Nagezien	Confirmed / Bevestigd	
Date / Datum	04/05/2020	04/05/2020	04/05/2020	
Init. / Init.	SD	SD	PJ	




EP00091 / E

BACK FRAME L44 INOVYS 2				Plan No.
				EP00091 / E
Scale: 1:6	Drafted	Verified	Confirmed	
Date	28/08/2012	11/12/2018	11/12/2018	
Initials	AZ	PM	TK	

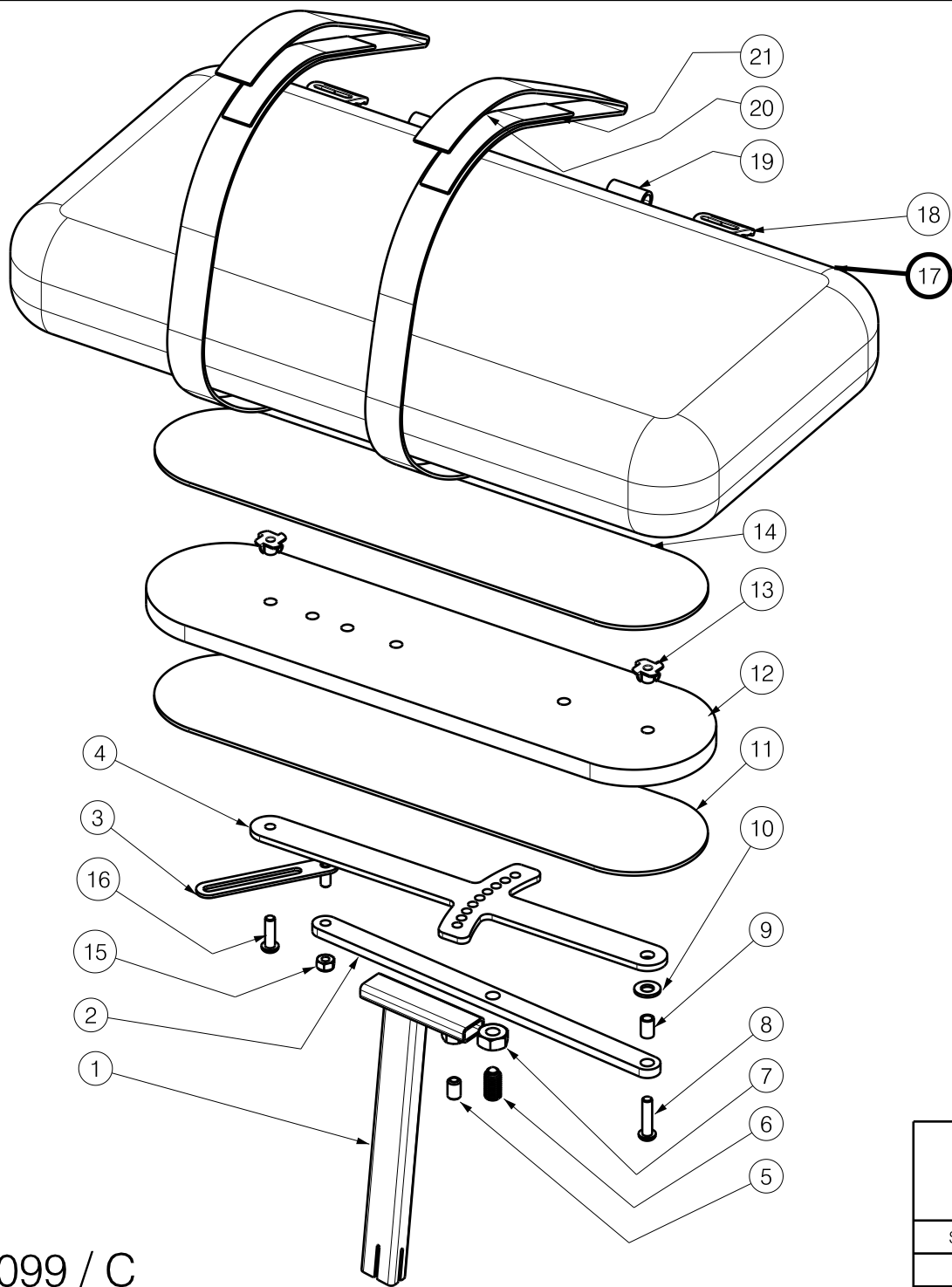
Material			
No.	Plan	Article	Quantity
1	Y007763	20426..	1
	Y006940*	20424..	1
2	Y007822	20427..	1
	Y008047*	20425..	1
3	YP06461(35)	27346..	1
	YP03881(40)	28401..	1
	YP03882(45)	28402..	1
	YP03882(50)	28403..	1
4	X001119	1001554	2
5	X003646	1999963	2
6	XP02101(35)	2993930	1
	X003969(40)	1901283	1
	X003921(45)	1901274	1
	X003970(50)	1901284	1
7	M8x20	1001580	2
8	M8	1001682	2
9	D8.4	1003199	2
10	M8x12	1004885	1
11	D8x40	1992510	1
12	---	1992600	2
13	---	1996806	2
14	---	2996479(35)	1
	---	2991684(40)	1
	---	2991685(45)	1
	---	2991686(50)	1
15	Tube Cap D22	1990648	2

\*- B74 (option)

EP00091 / E

BACK FRAME L44 INOVYS 2				Plan No.
				EP00091 / E
Scale: 1:6	Drafted	Verified	Confirmed	
Date	28/08/2012	11/12/2018	11/12/2018	
Initials	AZ	PM	TK	

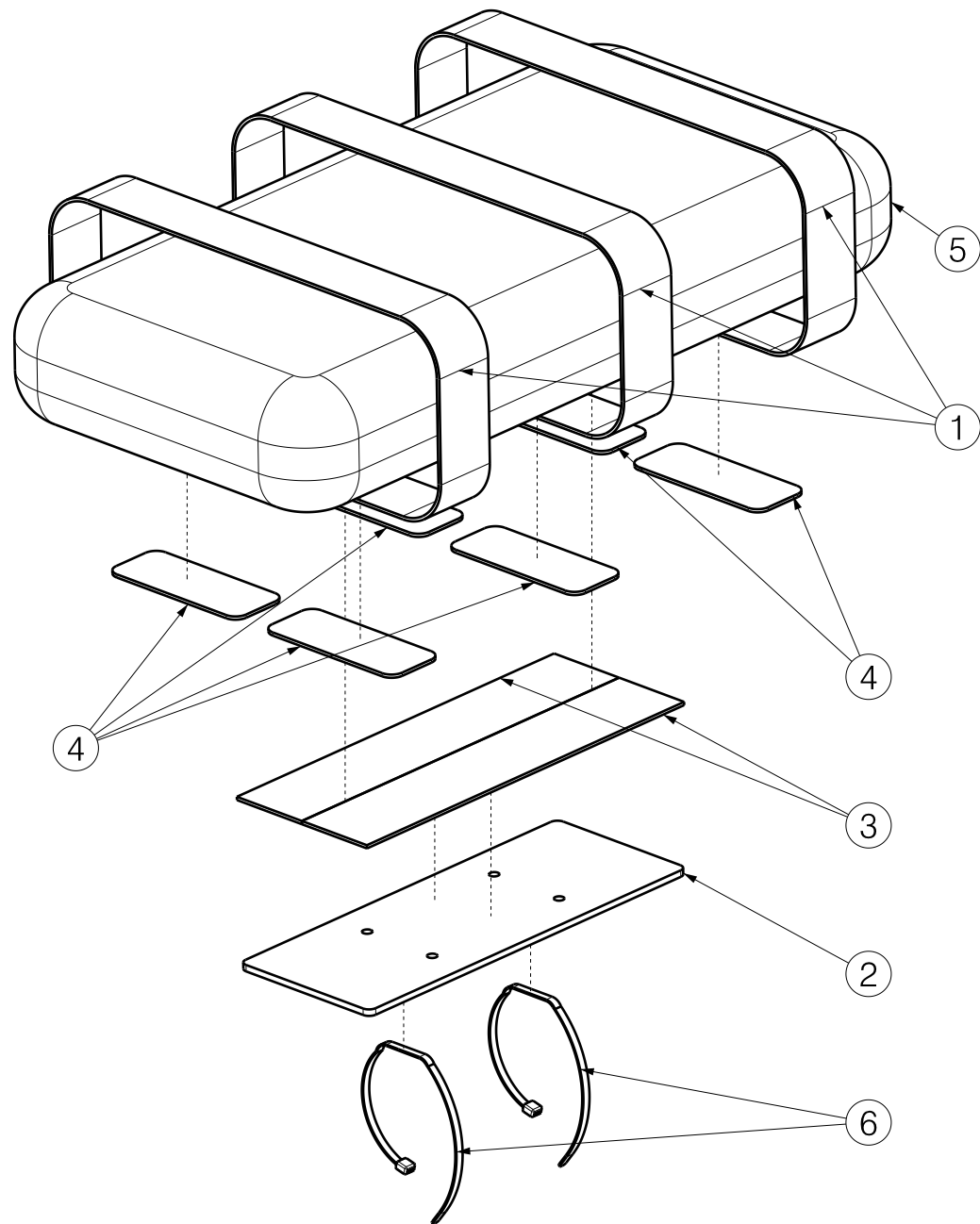
2/2



Material			
No.	Plan	Article	Quantity
1	Y012571	1681601	1
2	Y012557	1681700	1
3	Y012556	1676100	1
4	Y012555	1676204	1
5	M8x12-DIN916/45H	1004885	1
6	M10x19	1991432	1
7	M10-DIN934	1001672	1
8	M6x25	1006998	1
9	---	1418700	1
10	M8-DIN125	1003199	1
11	---	1005328	0,067 m <sup>2</sup>
12	X002018	H7443	1
13	M6x10	1992516	2
14	---	2991788	0,4 m
15	M6-DIN985	1001680	1
16	M6x20	1006999	1
17	---	2992176 (M)	1
		2992175 (L)	1
18	---	1991236	2
19	---	1009516	2 x 0,7 m
20	---	1009710	2 x 0,2 m
21	---	1009709	2 x 0,2 m

EP00099 / C

B66 STABILO   TYPE INOVYS				Plan No.
				EP00099 / C
Scale: 1:4	Drafted	Verified	Confirmed	
Date	20/12/2012	14/04/2017	14/04/2017	
Initials	BS	AZ	TK	

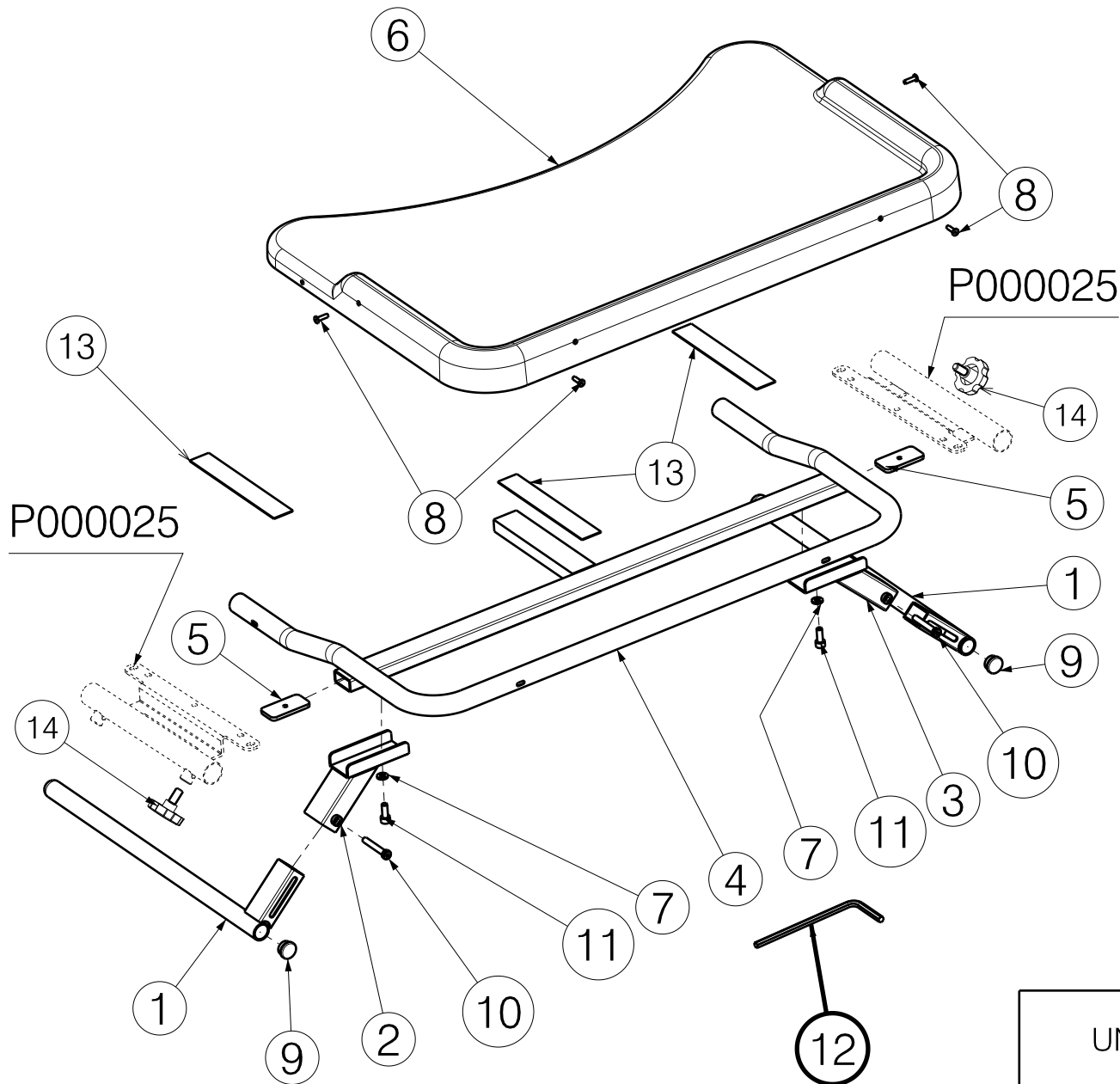


Material			
No.	Plan	Article	Quantity
1	YP04769	2992736	3
2	XP01252	2992735	1
3	---	1903425	2 x 0.26 m
4	---	1905877	6 x 0.1 m
5	---	2992175 (L)	1
	---	2992176 (M)	1
6	---	W620150	2

EP00149 / B

EXPLODED VIEW B66 STABILO				Plan No.
				EP00149 / B
Scale: 1:1	Drafted	Verified	Confirmed	
Date	14/04/2014	09/07/2014	09/07/2014	
Initials	WM	AZ	TK	



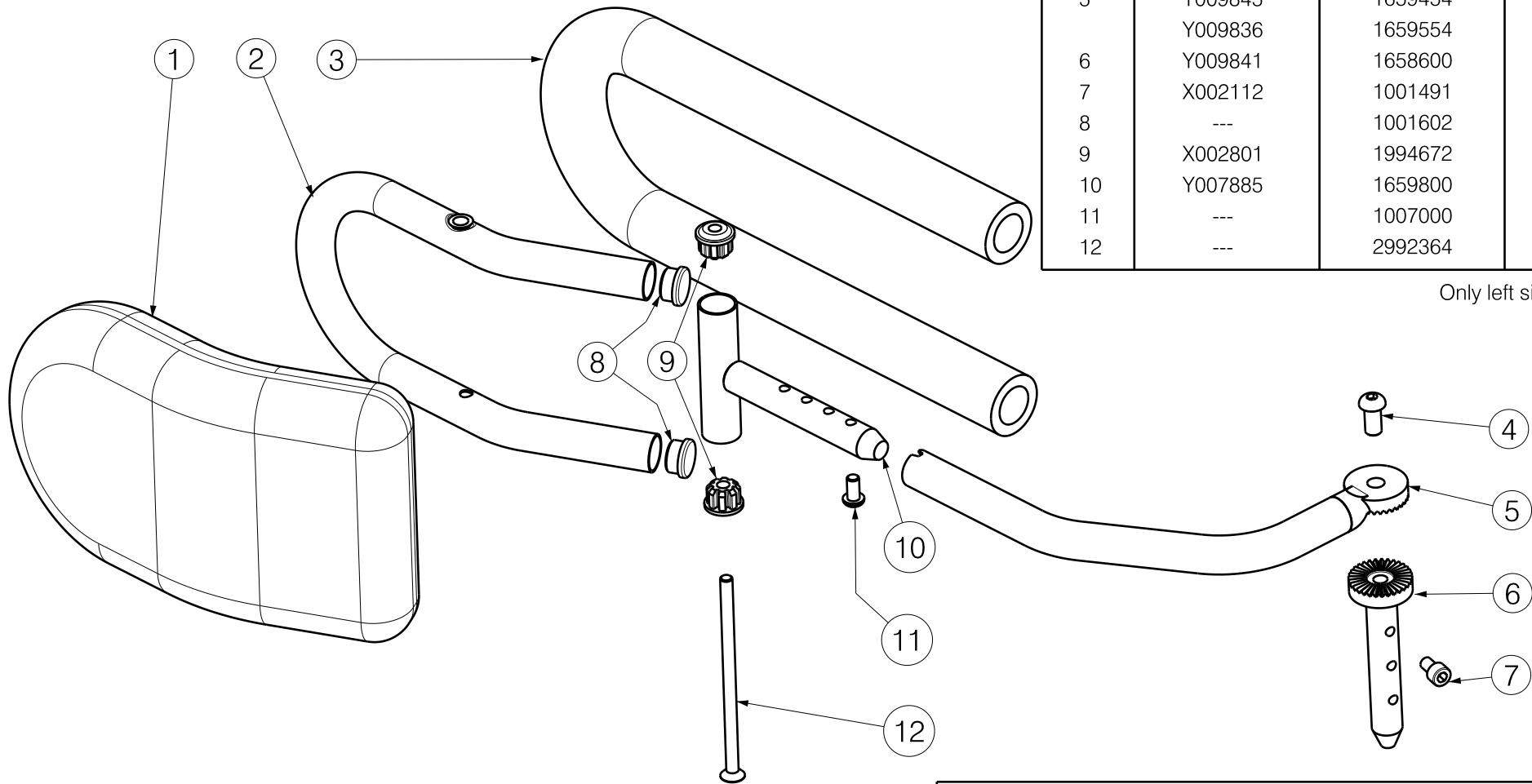


Material			
No.	Plan	Article	Quantity
1	YP04995	2896000	2
2	YP04998	2896154	1
	YP07057*	2744254	1
3	YP05000	2896254	1
	YP07058*	2744354	1
4	YP05002	2896354	1
5	YP05003	2896400	2
6	XP01338	2992968	1
7	D12.5XD6.4X1.6	1000973	2
8	Rivet 4X14	1001584	4
9	---	1001602	2
10	M6X40 DIN 912	2990778	2
11	M6x16	1001492	2
12	Allen Key 5	W620228	1
13	---	1990663	3 x 0.1 m
14	---	2990024	2

\* use for comfort chair

EP00190 / M

UNIVERSAL ADJUSTABLE TABLE B15				Plan No.
				EP00190/ M
Scale: 1:7	Drafted	Verified	Confirmed	
Date	15/12/2014	26/09/2019	26/09/2019	
Initials	WM	DB	TK	

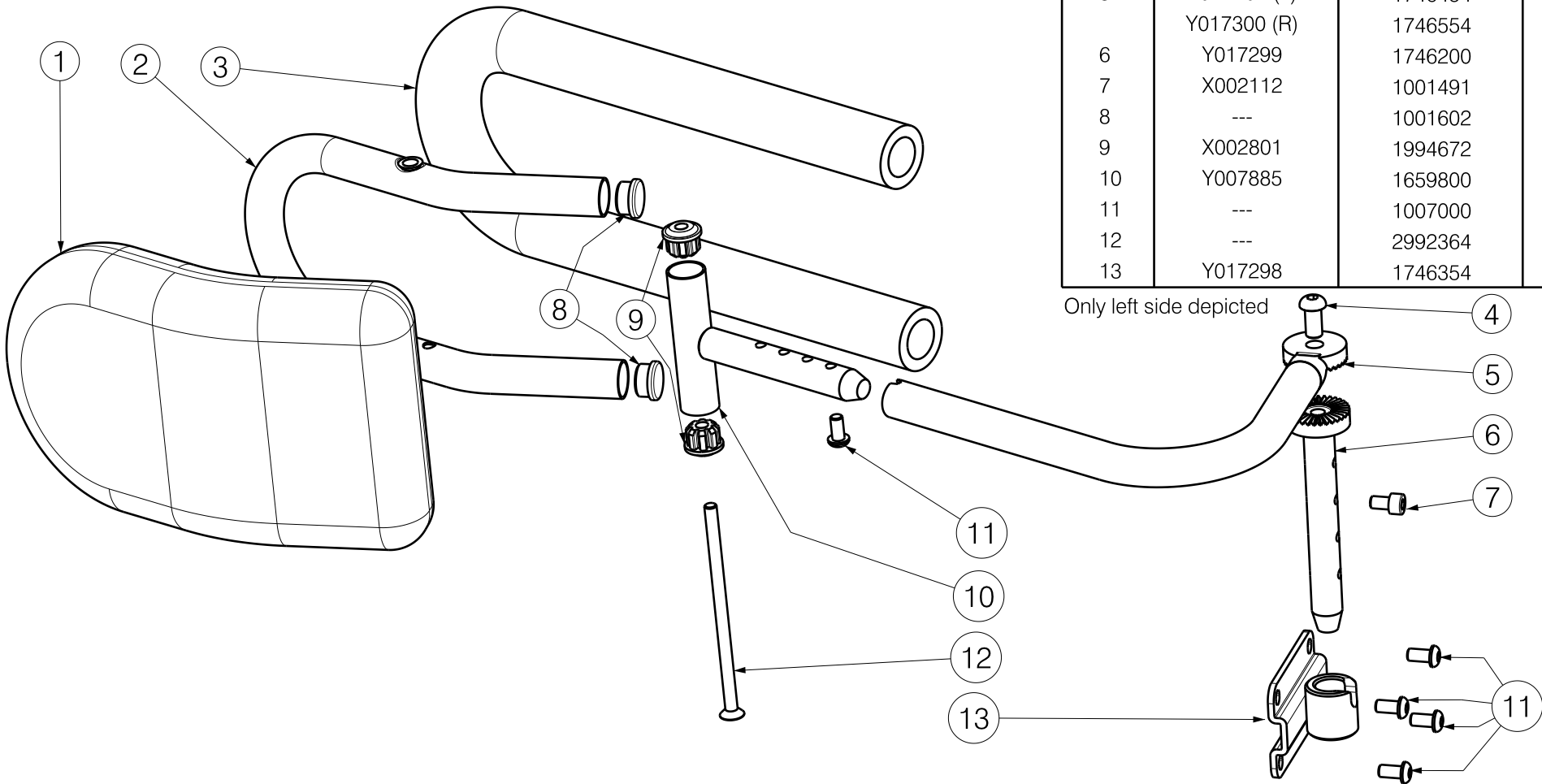


Material			
No.	Plan	Article	Quantity
1	---	1996036	2
2	Y006525 (L)	1616000	1
	Y006470 (R)	1615900	1
3	---	1992923	2
4	---	1991858	2
5	Y009845	1659454	1
	Y009836	1659554	1
6	Y009841	1658600	2
7	X002112	1001491	2
8	---	1001602	4
9	X002801	1994672	4
10	Y007885	1659800	2
11	---	1007000	2
12	---	2992364	2

Only left side depicted

EP00237 / A

<h1>L04 TYPE INOVYS 2 L44</h1>				Plan No.
				EP00237 / A
Scale: 1:3	Drafted	Verified	Confirmed	
Date	27/06/2017	27/06/2017	27/06/2017	
Initials	DB	MK	TK	



Material			
No.	Plan	Article	Quantity
1	---	1996036	2
2	Y006525 (L)	1616000	1
	Y006470 (R)	1615900	1
3	---	1992923	2
4	---	1991858	2
5	Y017207 (L)	1746454	1
	Y017300 (R)	1746554	1
6	Y017299	1746200	2
7	X002112	1001491	2
8	---	1001602	4
9	X002801	1994672	4
10	Y007885	1659800	2
11	---	1007000	10
12	---	2992364	2
13	Y017298	1746354	2

Only left side depicted

EP00238 / A

## L04 TYPE V-SERIES L14

Plan No.

EP00238 / A

Scale: 1:3

Drafted

Verified

Confirmed

Date

27/06/2017

27/06/2017

27/06/2017

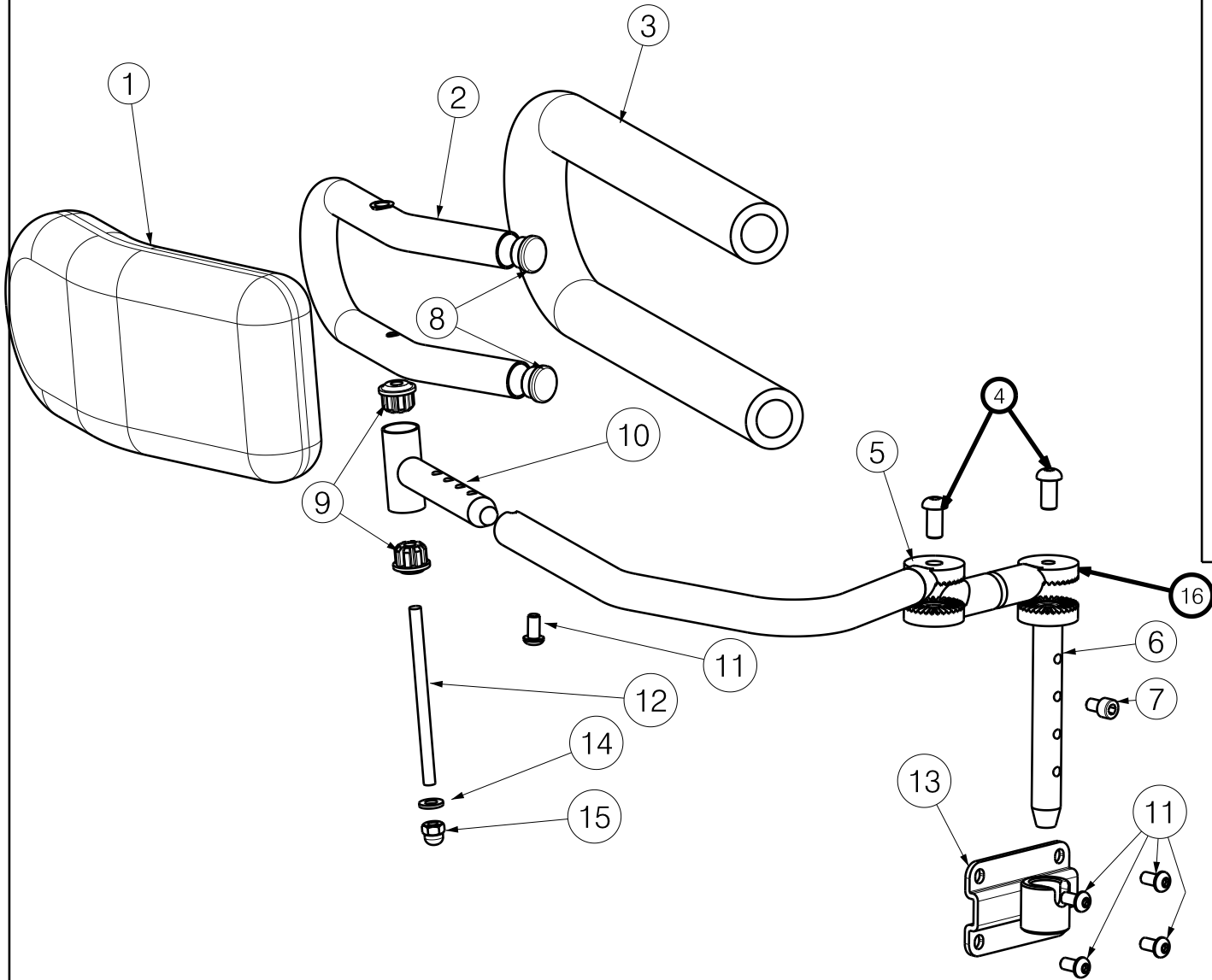
Initials

DB

MK

TK



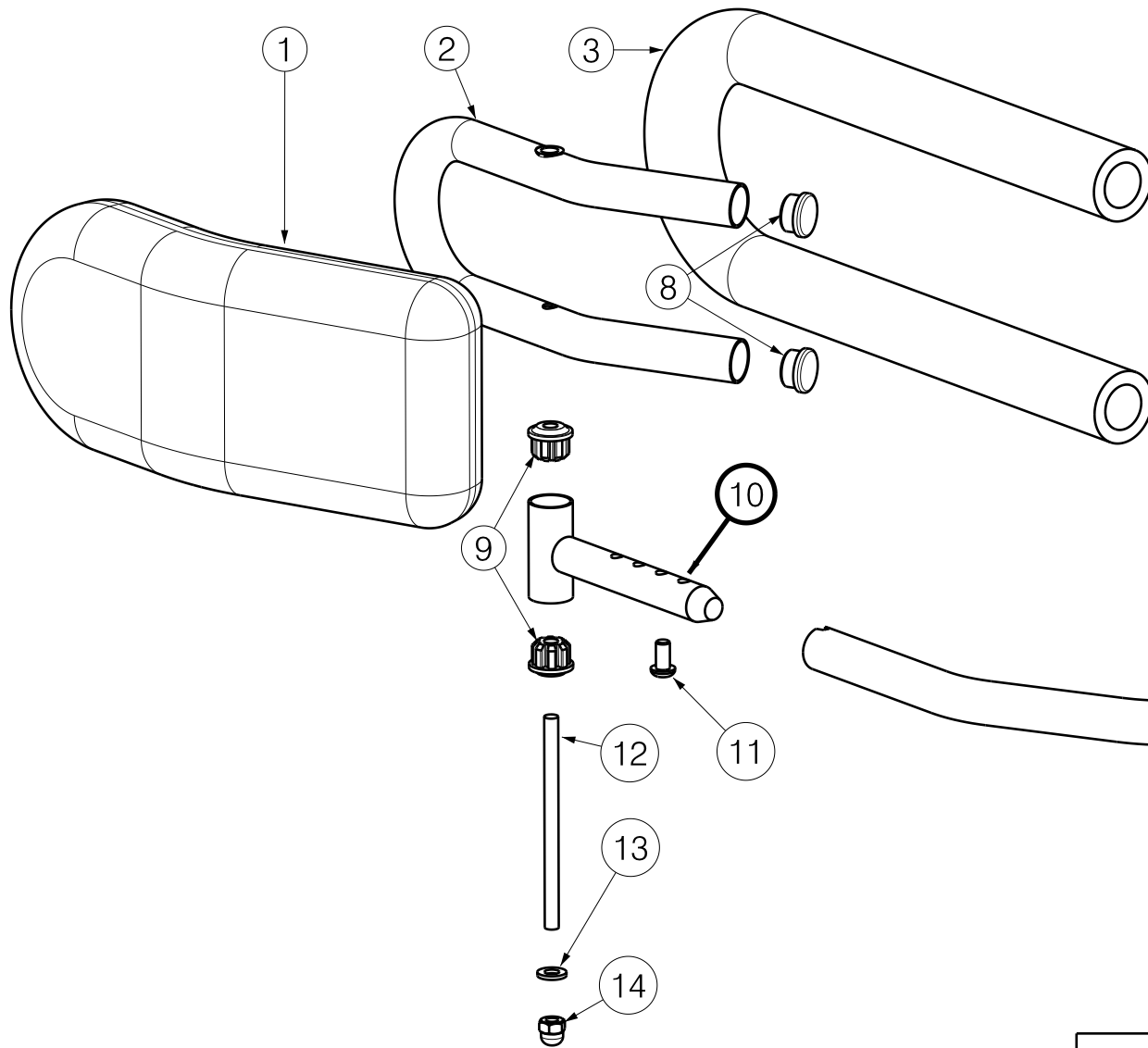


Material			
No.	Plan	Article	Quantity
1	---	2990405	2
2	Y006408 (L)	1572900	1
	Y006411 (R)	1573000	1
3	---	1992923	2
4	---	1991858	4
5	Y018431 (L)	1768154	1
	Y018432 (R)	1768254	1
6	Y017299	1746200	2
7	X002112	1001491	2
8	---	1001602	4
9	X002801	1994672	4
10	Y009837	1658500	2
11	---	1007000	10
12	Y008159	F004273	2
13	Y017298	1746354	2
14	---	1001564	2
15	---	1008492	2
16	Y003413	1463254	2

Only left side depicted

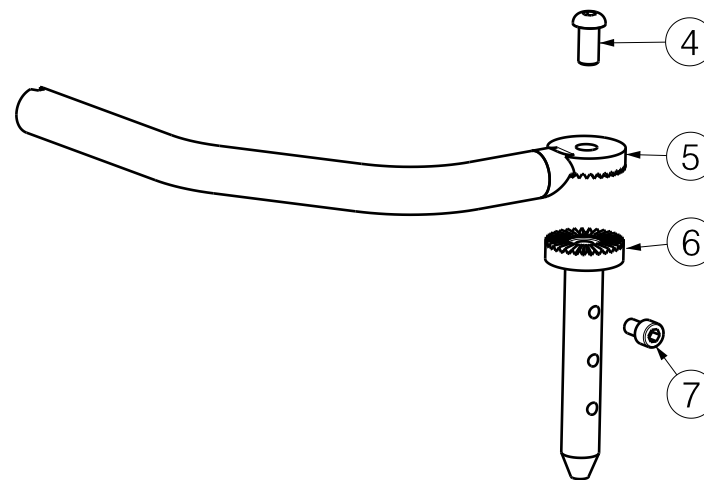
EP00239 / C

L04S TYPE INOVYS 2/V-SERIES L34				Plan No.
				EP00239 / C
Scale: 1:3	Drafted	Verified	Confirmed	
Date	27/06/2017	08/05/2018	08/05/2018	
Initials	DB	PM	TK	




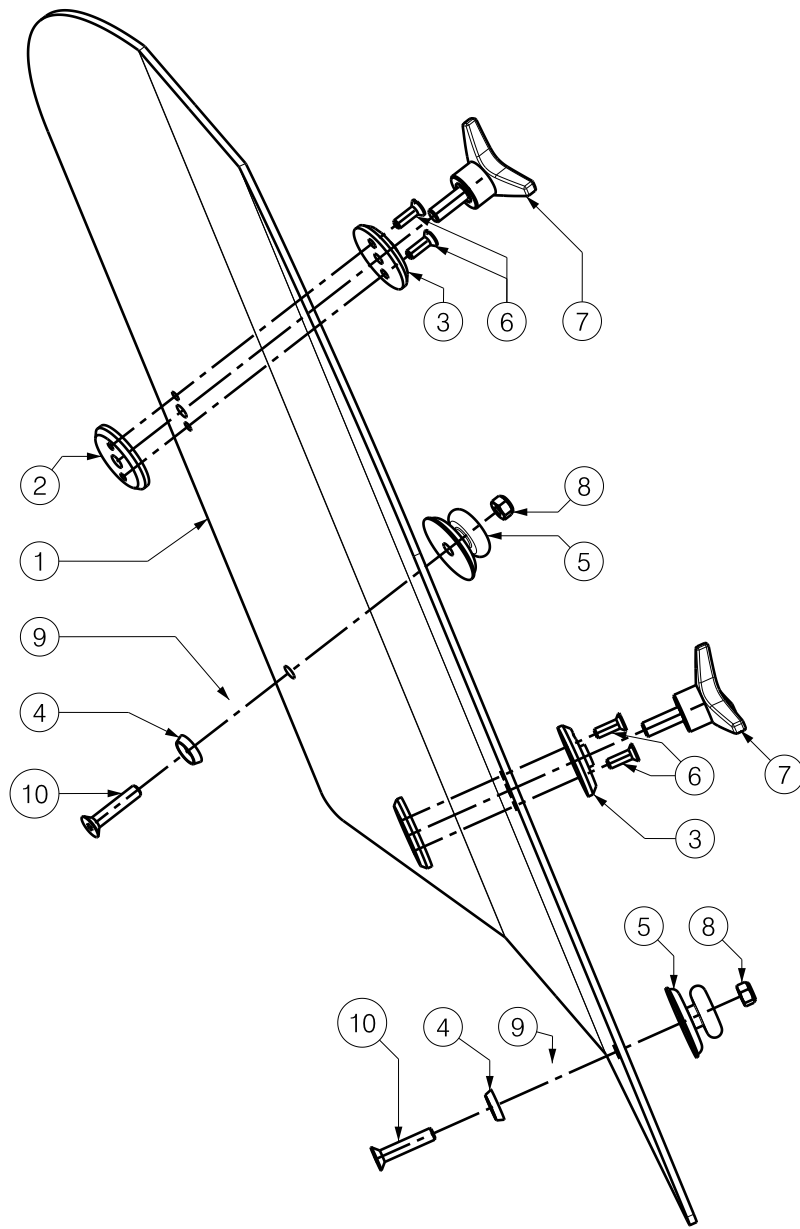
Material			
No.	Plan	Article	Quantity
1	---	2990405	2
2	Y006408 (L)	1572900	1
	Y006411 (R)	1573000	1
3	---	1992923	2
4	---	1991858	2
5	Y009845 (L)	1659454	1
	Y009836 (R)	1659554	1
6	Y009841	1658600	2
7	X002112	1001491	2
8	---	1001602	4
9	X002801	1994672	4
10	Y009837	1658500	2
11	---	1007000	10
12	Y008159	F004273	2
13	---	1001564	2
14	---	1008492	2

Only left side depicted



EP00240 / B

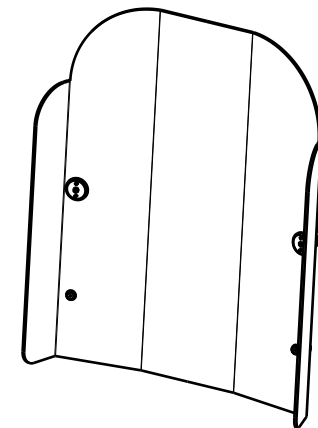
<h1>L04S TYPE INOVYS 2 L44</h1>				Plan No.
				EP00240 / B
Scale: 1:3	Drafted	Verified	Confirmed	
Date	27/06/2017	08/05/2018	08/05/2018	
Initials	DB	PM	TK	



Material			
No.	Plan	Article	Quantity
1	YP06392	2729504 (40)	1
	YP06393	2729604 (45)	1
	YP06394	2729704 (50)	1
1**	YP06885	2765204 (40)	1
	YP06886	2765304 (45)	1
	YP06887	2765404 (50)	1
2	XP02084	GP16000	2
3	X001052	G066600	2
4	X001473	1002994	2
5	X004861	1906454	2
6	M4x12 DIN963	1005401	4
7	STAR KNOB M6x20	1009932	2
8	M5 DIN985	2994006	2
9	M6 DIN125-1	2994068	2
10	M5x25 DIN7991	2994071	2
11*	Velcro	1009792	1[m]

\*- Not depicted

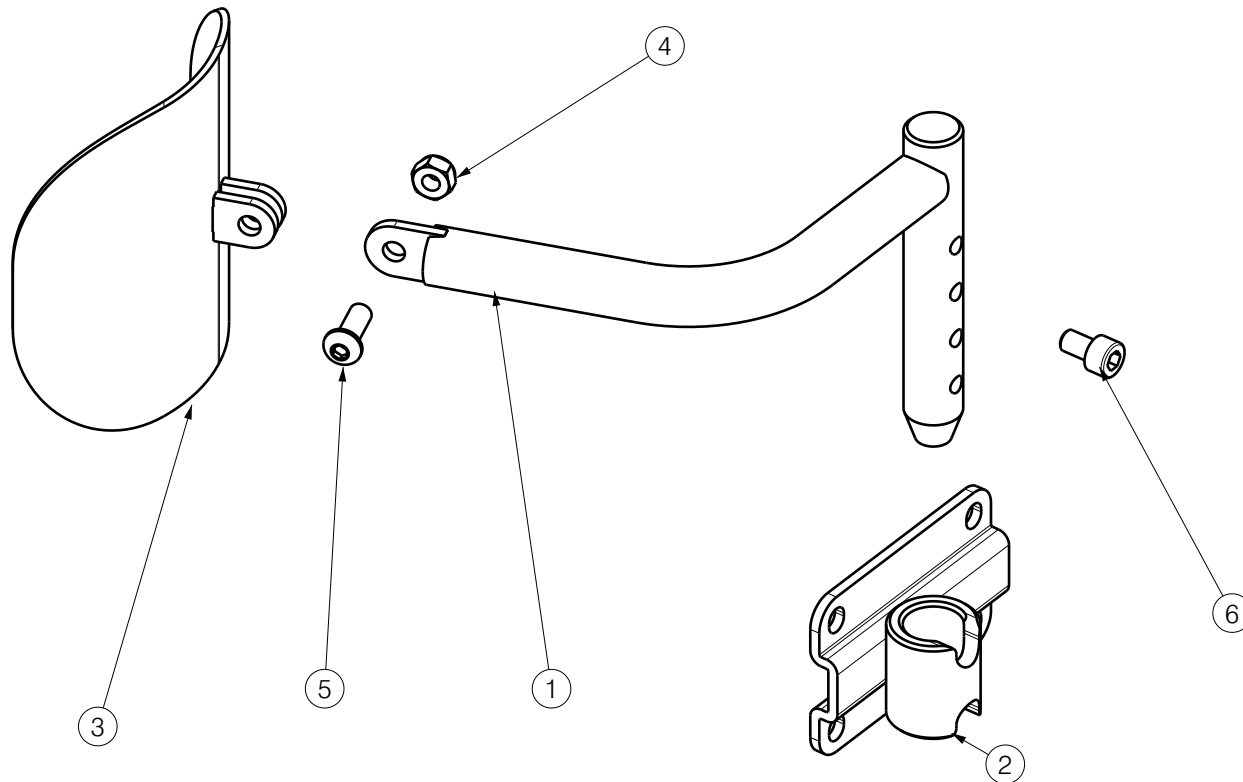
\*\* - Backrest with wings, option



\*\* Scale: 1:10

EP00291 / C

ALU BACK FRAME   INOVYS II				Plan No.
				EP00291 / C
Scale: 1:3	Drafted	Verified	Confirmed	
Date	05/06/2018	21/09/2018	21/09/2018	
Initials	DB	PM	TK	

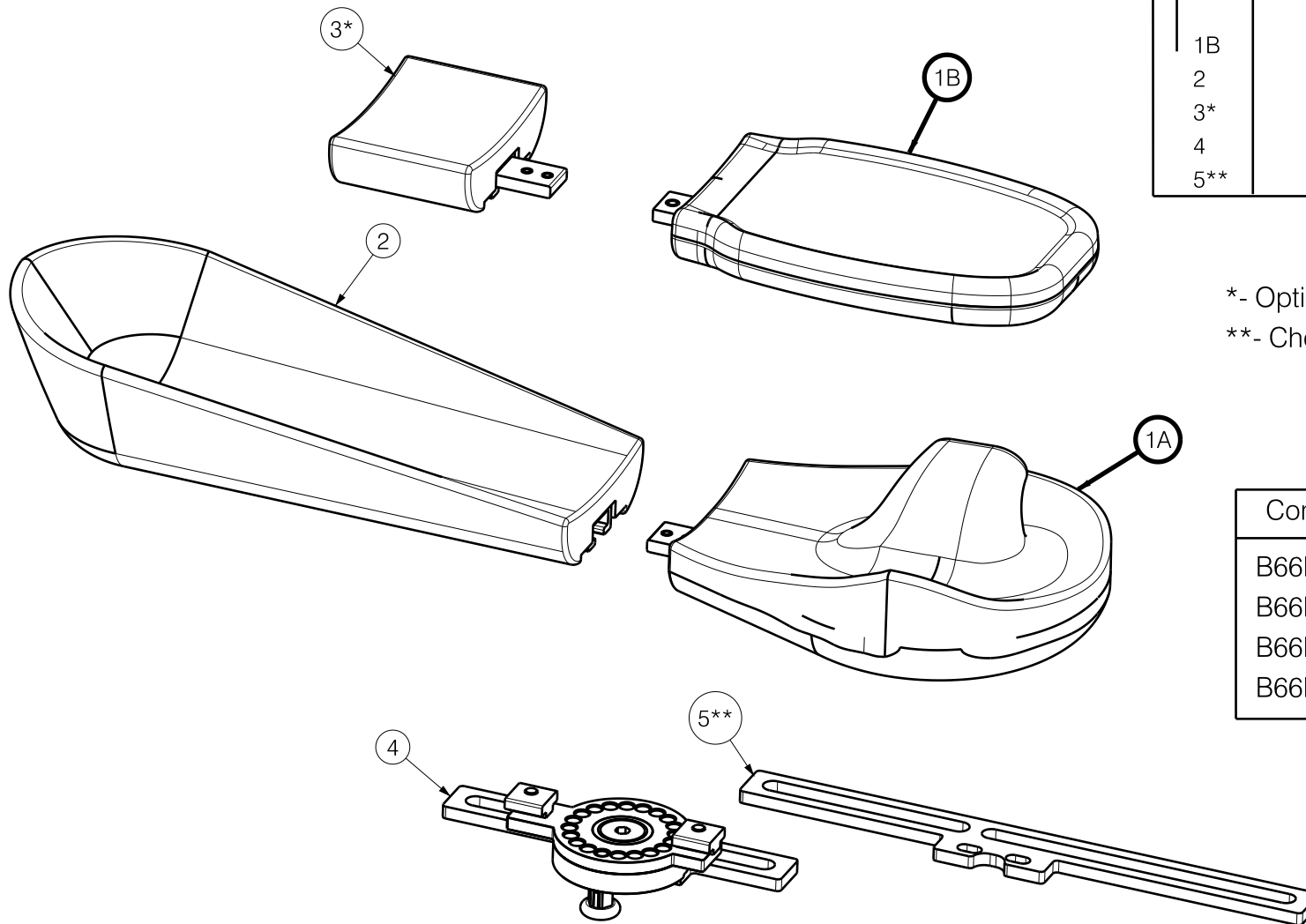


Material			
No.	Plan	Article	Quantity
1	YP08732	2626754 (L)	1
	YP08731	2626654 (R)	1
2	YP08719	2625854	1
3	YP08727	2626054	1
4	M6 DIN985	1001680	1
5	M6x16 ISO7380	1008459	1
6	M6x10 DIN912	1001491	1

Only left side depicted

EP00516 / B

B67 ASSEMBLY (ELBOW PROTECTION)				Plan No.
				EP00516/ B
Scale: 1:2	Drafted	Verified	Confirmed	
Date	18/02/2021	26/02/2021	26/02/2021	
Initials	KS	DB	TK	




Material			
No.	Plan	Article	Quantity
1A	---	1917101 (L)	1
	---	1917102 (R)	1
1B	---	1917100	1
2	---	1917099	1
3*	---	1917103	1
4	---	1917104	1
5**	YP08835	2628104	

\*- Optional

\*\* - Check PP00037 for mounting configurations

Combination	Uses
B66M	1B+2
B66ML (long)	1B+2+3
B66MA (anatomical)	1A(L/R)+2
B66MAL (anatomical long)	1A(L/R)+2+3

EP00569 / B

<h1>B66 Modular</h1>				Plan No.
				EP00569/ B
Scale: 1:3	Drafted	Verified	Confirmed	
Date	17/02/2021	3/03/2021	3/03/2021	
Initials	DB	PM	TK	



Overview					
Model	Type	Article	Plan number	Old article	Old plan number
A	B02 V-series	2008754	Y021062	1785254	Y019321
	B03 V-series			1739854	Y016846
				1739854	Y016846
B	B05 V-series	1785254	Y019321	1758854	Y017854
	B04 V-series			1758854	Y017854
	Timix GT			---	---
	Timix / Forest 3			---	---
	Inovys			---	---
	Navix			1669954	Y012236
	Forest / Express			1671554	Y012536
	Ascend			1671554	Y012536
EZ-1	1671554	Y012536			
C	B02 708D	1779054	Y018970	1381504	Y002529
	B03 708D			1378304	Y002524
	B02 Eclips			1553654	Y005617
	B03 Eclips			1553954	Y005627
D	B05 708D	1548354	Y005478		
	B05 Eclips				
E	Serenys	1608254	Y007792		
	Serenys 917*	1662354	---		
	Alesia	1690374	Y014119		
	Comfort chair	1671982 /	Y012628		
		1672082	Y012629		
F	B04 V-series	2019454	Y021909		
	B15 V-series				

\* Not depicted

Eclips X4 kids -- E000911; Forest Kids / Springer -- E000912

Wooden table: E000538

Plexi table manual wheelchair: E000633

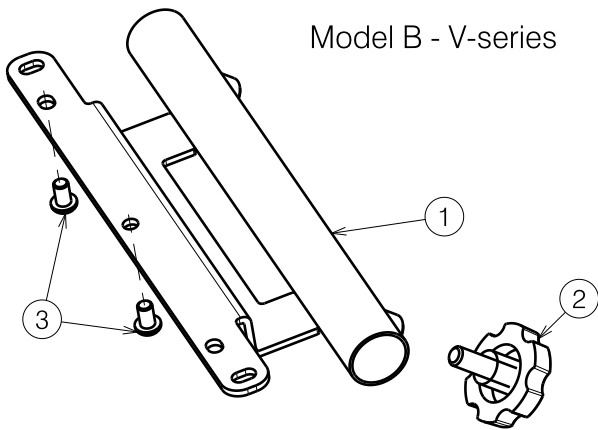
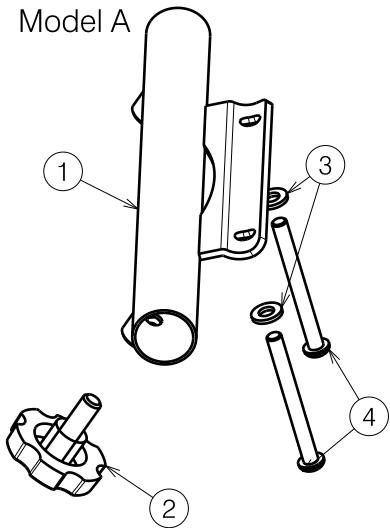
Plexi table electro: E000744

Plastic table B15A: EP00190

UNIVERSAL B13 2013				Plan No.
				P000025 / E
Scale: 1:8	Drafted	Verified	Confirmed	
Date	20/03/2013	26/09/2017	26/09/2017	
Initials	SD	SD	PJ	

Material / Materiaal - Model A			
No. / Nr.	Plan	Article / Artikel	Quantity / Aantal
1	Y021062	2008754	2
2	M8x16	2990024	2
3	M6 DIN125A	1001564	4
4	M6x60	1992915	4

\*For B15A table (EP00190) double the quantity



Material / Materiaal - Model B V-series			
No. / Nr.	Plan	Article / Artikel	Quantity / Aantal*
1	Y019321	1785254	1
2	M8x16	2990024	1
3	M6x10	1900641	2

\*For B15A table (EP00190) double the quantity

Material / Materiaal - Model B Electro / Inovys			
No. / Nr.	Plan	Article / Artikel	Quantity / Aantal*
1	Y019321	1785254	1
2	M8x16	2990024	1
3A	M6x16	1008459	2
3B	M6x20	1006999	2
3C	M6x30	1900641	2
3D	M6x60	1992915	2

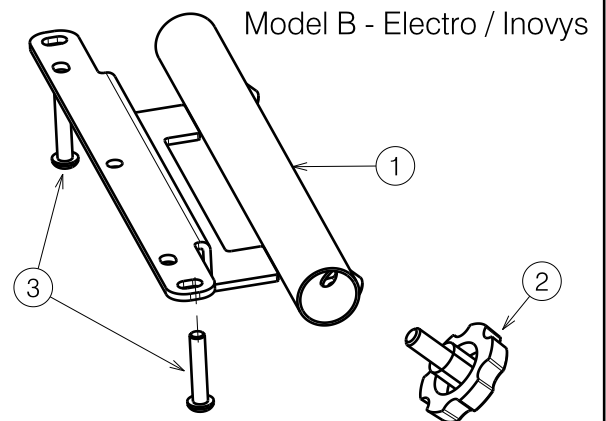
\*For B15A table (EP00190) double the quantity

3A: Timix GT / Timix / Forest 3

3B: EZ1

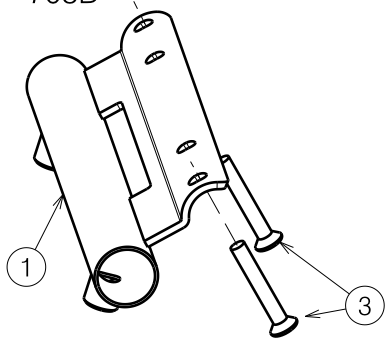
3C: Inovys / Navix

3D: Ascend / Forest / Express



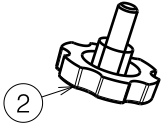
UNIVERSAL B13 2013				Plan No.
				P000025 / E
Scale: 1:3	Drafted	Verified	Confirmed	
Date	20/03/2013	26/09/2017	26/09/2017	
Initials	SD	SD	PJ	

Model C - 708D

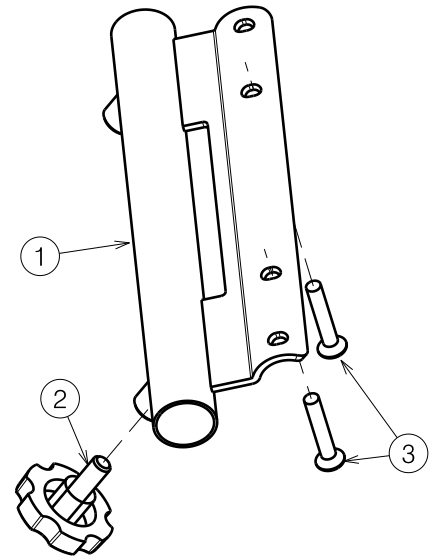


Material / Materiaal - Model C 708D			
No. / Nr.	Plan	Article / Artikel	Quantity / Aantal*
1	Y016846	1739854	1
2	M8x16	2990024	1
3	M6x40 DIN966	1009803	2

\*For B15A table (EP00190) double the quantity



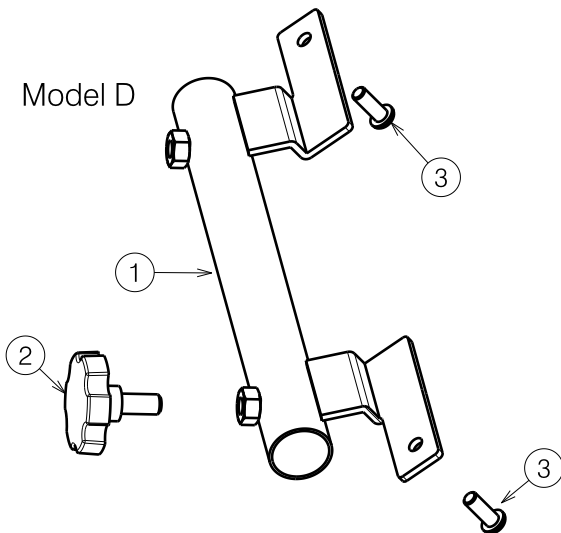
Model C - Eclips / Jazz



Material / Materiaal - Model C Eclips / Jazz			
No. / Nr.	Plan	Article / Artikel	Quantity / Aantal*
1	Y021062	2008754	1
2	M8x16	2990024	1
3	M6x35 DIN966	1003903	2

\*For B15A table (EP00190) double the quantity

Model D

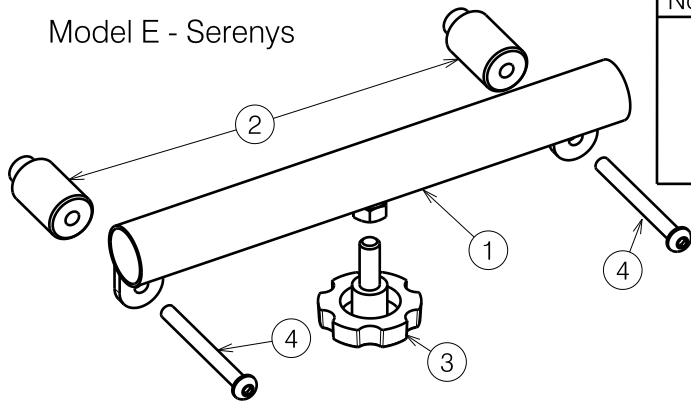


Material / Materiaal - Model D			
No. / Nr.	Plan	Article / Artikel	Quantity / Aantal*
1	Y019321	1785254	1
2	M8x16	2990024	1
3	M6x16	1008459	2

\*For B15A table (EP00190) double the quantity

UNIVERSAL B13 2013				Plan No.
				P000025 / E
Scale: 1:3	Drafted	Verified	Confirmed	
Date	20/03/2013	26/09/2017	26/09/2017	
Initials	SD	SD	PJ	

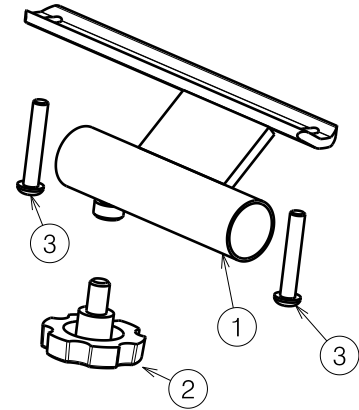
Model E - Serenys



Material / Materiaal - Model E Serenys			
No. / Nr.	Plan	Article / Artikel	Quantity / Aantal*
1	Y007792	1608254	1
2	X003344	1996908	2
3	M8x20	1001580	1
4	M6x60	1992915	2

\*For B15A table (EP00190) double the quantity

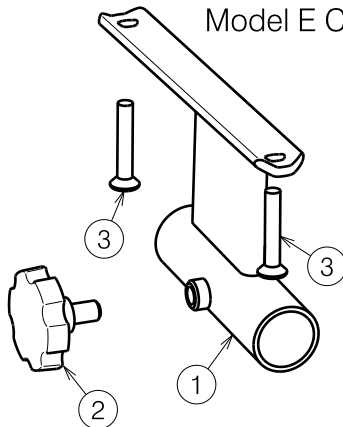
Model E - Alesia



Material / Materiaal - Model E Alesia			
No. / Nr.	Plan	Article / Artikel	Quantity / Aantal*
1	Y014119	1690374	1
2	M8x12	1999934	1
3	M6x35	1006057	2

\*For B15A table (EP00190) double the quantity

Model E Comfort chair



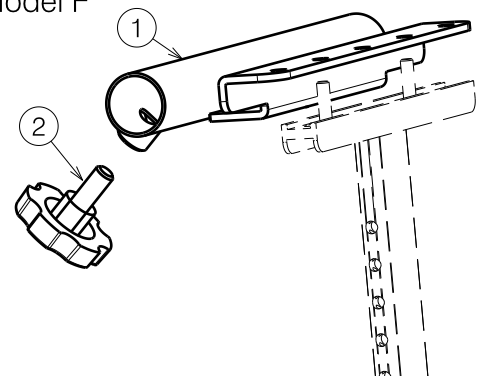
Material / Materiaal - Model E Comfort chair			
No. / Nr.	Plan	Article / Artikel	Quantity / Aantal*
1	Y012628 (L) Y012629 (R)	1671982 1672082	1 1
2	M8x12	1999931	2
3	M6x35 DIN966	1003903	2

\*For B15A table (EP00190) double the quantity

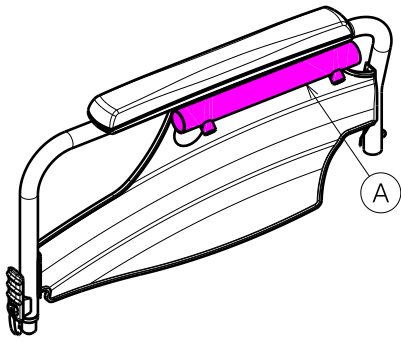
Material / Materiaal - Model F			
No. / Nr.	Plan	Article / Artikel	Quantity / Aantal*
1	Y019321	1785254	1
2	M8x16	2990024	1

\*For B15A table (EP00190) double the quantity

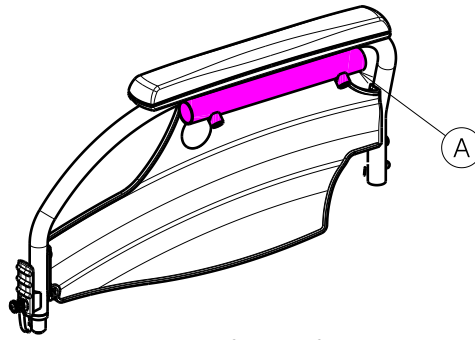
Model F



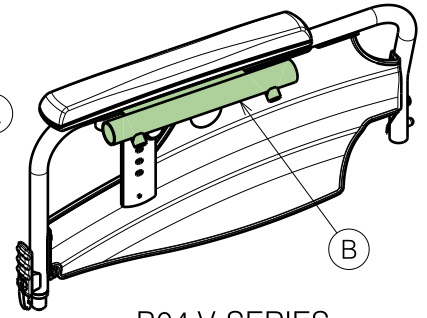
UNIVERSAL B13 2013				Plan No. P000025 / E
Scale: 1:3	Drafted	Verified	Confirmed	
Date	20/03/2013	26/09/2017	26/09/2017	
Initials	SD	SD	PJ	



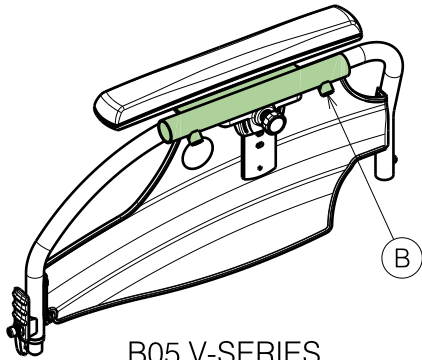
B02 V-SERIES



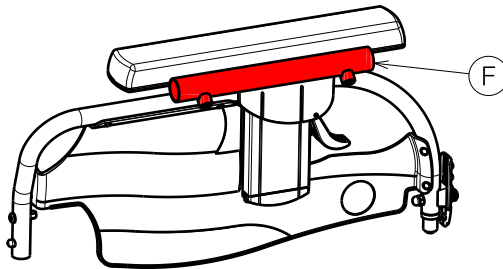
B03 V-SERIES



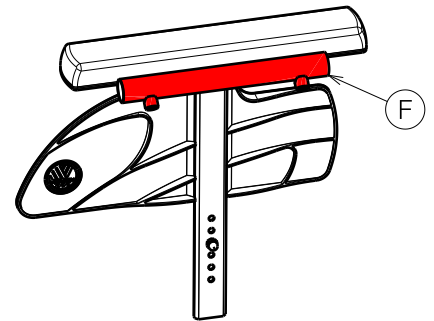
B04 V-SERIES



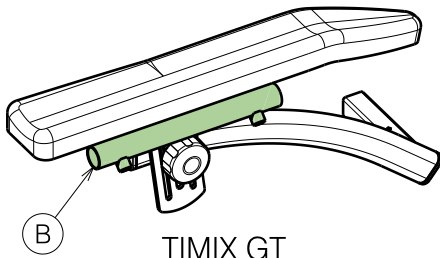
B05 V-SERIES



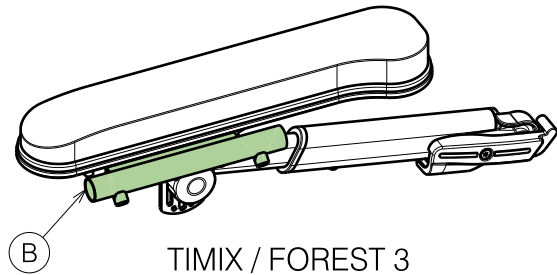
B04 V-SERIES 2016



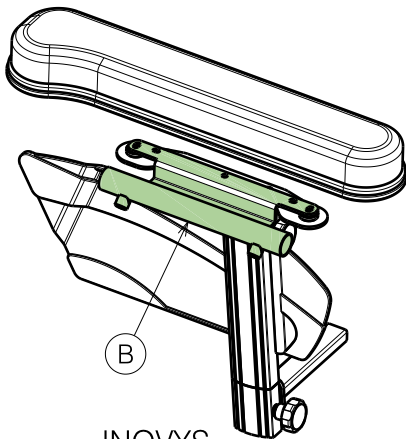
BI5 V500



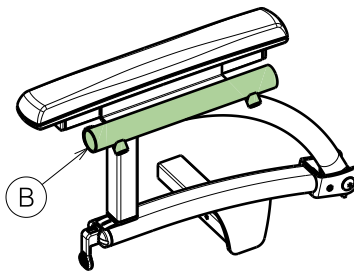
TIMIX GT



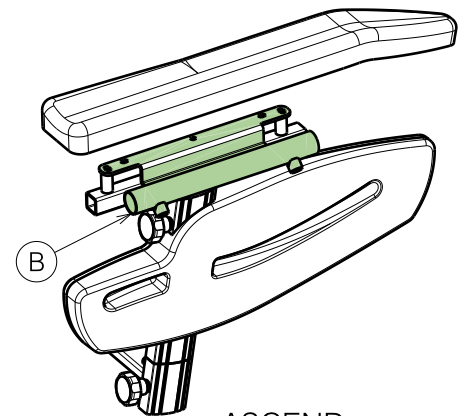
TIMIX / FOREST 3



INOVYS

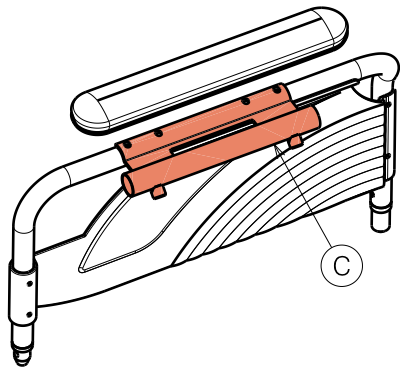


NAVIX

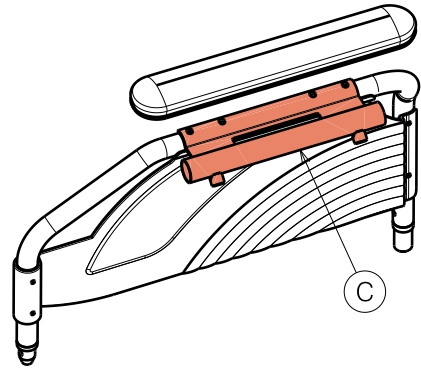


ASCEND

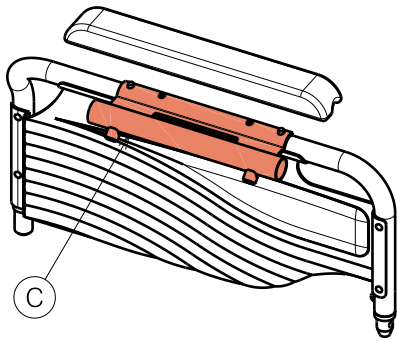
UNIVERSAL B13 2013				Plan No.
				P000025 / E
Scale: 1:8	Drafted	Verified	Confirmed	
Date	20/03/2013	26/09/2017	26/09/2017	
Initials	SD	SD	PJ	



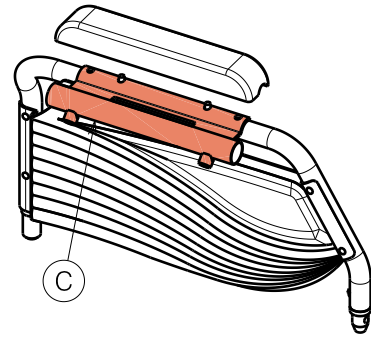
B02 708D



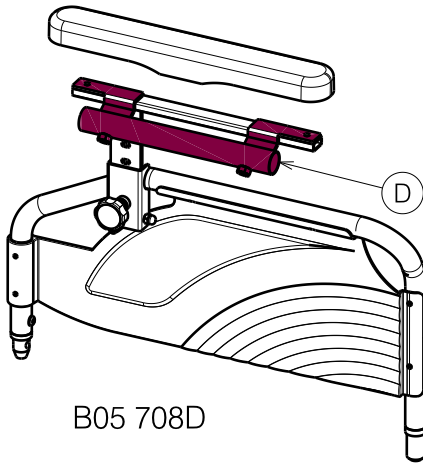
B03 708D



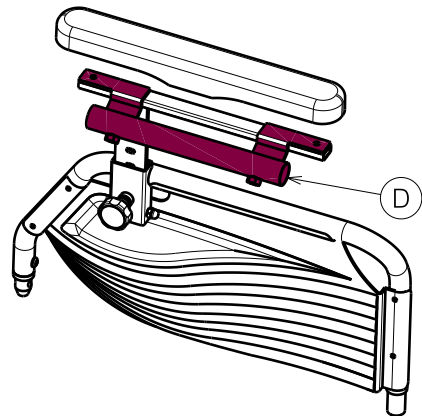
B02 ECLIPS / JAZZ



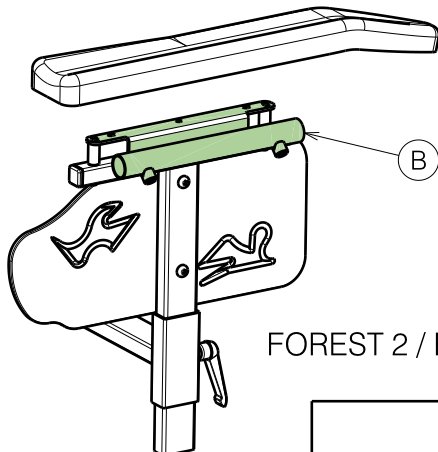
B03 ECLIPS / JAZZ



B05 708D



B05 ECLIPS / JAZZ



FOREST 2 / EXPRESS

UNIVERSAL B13 2013				Plan No.
				P000025 / E
Scale: 1:8	Drafted	Verified	Confirmed	
Date	12/03/2013	26/09/2017	26/09/2017	
Initials	SD	SD	PJ	